



BERKELY DISTRIBUTION

BERKELY DUAL SHEER SHADES

2026 PRODUCT GUIDE

6951 Virginia Pkwy Suite 305 • McKinney, TX 75071 • Office: 945-327-0300

BERKELY DUAL SHEER SHADES



Berkely Dual Sheer Shades include beautiful textures and trending colors in dual sheer shade materials. Find the perfect light solution for every kind of decor.

Dual Sheer Shades offer the ultimate in privacy and light control, with horizontal fabric bands that can be opened or closed to your preference. Align the fabric bands in the open position for light and view-through, or close the bands for privacy and shade. Fully raise the shade to allow full light and enjoy the view.

Shades are available in wide widths with fabrics up to 108" or 110" wide. Find the perfect band for your view-through preferences with band heights ranging from 3" - 4¾".

Shades come standard with clutch control. Choose cordless control or our unbeatable pro wand and remote control motorization options for cord-free lift. All dual sheer shades come standard with a 3" cassette that is available with a rounded or square profile. Add a fabric wrapped bottom bar for the perfect finishing touch.

Enjoy peace of mind with our Limited Lifetime Warranty, covering all aspects of workmanship and quality in your shades.

MATERIALS REFERENCE - LIGHT-FILTERING

PATTERN CODE	PATTERN NAME	COLOR	PRICE GROUP	MAXIMUM WIDTH	MAXIMUM LENGTH	BAND SIZE		RECOMMENDED COMPONENT COLOR
						FABRIC	SHEER	
AS04	Addison	Ivory	E	108"	108"	4¾"	3"	Beige
AS01	Addison	Sand	E	108"	108"	4¾"	3"	Beige
AS03	Addison	Silver	E	108"	108"	4¾"	3"	Gray
AS02	Addison	Sky	E	108"	108"	4¾"	3"	Gray
AS05	Addison	Snow	E	108"	108"	4¾"	3"	White
AI01	Alaia	Dark Gray	D	108"	108"	3"	2"	Gray
AI03	Alaia	Ice	D	108"	108"	3"	2"	White
AI02	Alaia	Soft Gray	D	108"	108"	3"	2"	Gray
AN14	Albion	Ice	C	108"	108"	3¾"	2¾"	White
AN15	Albion	Ivory	C	108"	108"	3¾"	2¾"	Beige
AN16	Albion	Khaki	C	108"	108"	3¾"	2¾"	Bronze
AN12	Albion	Latte	C	108"	108"	3¾"	2¾"	Beige
AN17	Albion	Midnight	C	108"	108"	3¾"	2¾"	Black
AN11	Albion	Pearl	C	108"	108"	3¾"	2¾"	White
AN13	Albion	Soft Gray	C	108"	108"	3¾"	2¾"	Gray
AN19	Albion	Storm	C	108"	108"	3¾"	2¾"	Gray
AN18	Albion	Thunder	C	108"	108"	3¾"	2¾"	Gray
AL01	Alessa	Beige	D	108"	108"	3"	2"	Beige
AL02	Alessa	Coconut	D	108"	108"	3"	2"	Beige
AL03	Alessa	Gray	D	108"	108"	3"	2"	Gray
AL04	Alessa	Ivory	D	108"	108"	3"	2"	Beige
AL05	Alessa	Sand	D	108"	108"	3"	2"	Beige
AL06	Alessa	Taupe	D	108"	108"	3"	2"	Gray
AL07	Alessa	White	D	108"	108"	3"	2"	White
AH04	Asher	Canyon	A	110"	108"	3"	2"	Bronze
AH03	Asher	Gray	A	110"	108"	3"	2"	Gray
AH02	Asher	Mineral	A	110"	108"	3"	2"	Gray
AH01	Asher	Sandstone	A	110"	108"	3"	2"	Beige
BX01	Bixby	Black	D	108"	108"	3"	2"	Black
BX05	Bixby	Bright White	D	108"	108"	3"	2"	White
BX02	Bixby	Heather Gray	D	108"	108"	3"	2"	Gray
BX03	Bixby	Ivory	D	108"	108"	3"	2"	Beige
BX04	Bixby	Oxford	D	108"	108"	3"	2"	Black
KG04	Kingston	Bright White	D	108"	108"	3¾"	2¾"	White
KG02	Kingston	Onyx	D	108"	108"	3¾"	2¾"	Black
KG01	Kingston	Sand	D	108"	108"	3¾"	2¾"	Beige
KG03	Kingston	Shadow	D	108"	108"	3¾"	2¾"	Gray
LA03	Lani	Aluminum	D	108"	108"	4"	2¾"	Gray
LA04	Lani	Cloud	D	108"	108"	4"	2¾"	White
LA01	Lani	Honey	D	108"	108"	4"	2¾"	Beige
LA02	Lani	Iron	D	108"	108"	4"	2¾"	Gray

MATERIALS REFERENCE - LIGHT-FILTERING

PATTERN CODE	PATTERN NAME	COLOR	PRICE GROUP	MAXIMUM WIDTH	MAXIMUM LENGTH	BAND SIZE		RECOMMENDED COMPONENT COLOR
						FABRIC	SHEER	
LE31	Leigh	Champagne	B	110"	108"	3"	2"	Beige
LE34	Leigh	Clay	B	110"	108"	3"	2"	Beige
LE32	Leigh	Eggshell	B	110"	108"	3"	2"	Beige
LE37	Leigh	Mineral	B	110"	108"	3"	2"	Gray
LM03	Loma	Fog	D	108"	108"	3"	2"	Gray
LM04	Loma	Ice	D	108"	108"	3"	2"	White
LM01	Loma	Mist	D	108"	108"	3"	2"	Beige
LM02	Loma	Stone	D	108"	108"	3"	2"	Bronze
MB03	Marble	Hazel	E	108"	108"	3"	2"	Bronze
MB01	Marble	Ivory	E	108"	108"	3"	2"	Beige
MB04	Marble	Pearl	E	108"	108"	3"	2"	White
MB02	Marble	Taupe	E	108"	108"	3"	2"	Bronze
MT03	Matteo	Chiffon	C	108"	108"	3"	2"	Beige
MT02	Matteo	Contrast	C	108"	108"	3"	2"	Black
MT04	Matteo	Earth	C	108"	108"	3"	2"	Bronze
MT06	Matteo	Navy	C	108"	108"	3"	2"	Black
MT01	Matteo	Slate	C	108"	108"	3"	2"	Gray
MT05	Matteo	Soft Gray	C	108"	108"	3"	2"	Gray
MT07	Matteo	Stone	C	108"	108"	3"	2"	Gray
MT08	Matteo	White	C	108"	108"	3"	2"	White
SL01	Solana	Driftwood	D	108"	108"	3"	2"	Beige
SL03	Solana	Walnut	D	108"	108"	3"	2"	Bronze
SL02	Solana	Winter	D	108"	108"	3"	2"	White
TH17	Theo	Chocolate	A	110"	108"	3"	2"	Bronze
TH24	Theo	Gray	A	110"	108"	3"	2"	Gray
TH11	Theo	Ice White	A	110"	108"	3"	2"	White
TH16	Theo	Latte	A	110"	108"	3"	2"	Bronze
TH15	Theo	Sand	A	110"	108"	3"	2"	Beige
TH21	Theo	Storm	A	110"	108"	3"	2"	Gray
TH12	Theo	White	A	110"	108"	3"	2"	White
TR03	Tory*	Caramel	E	108"	108"	4¾"	3"	Bronze
TR01	Tory*	Cotton	E	108"	108"	4¾"	3"	Beige
TR02	Tory*	Latte	E	108"	108"	4¾"	3"	Bronze
TR04	Tory*	Pearl	E	108"	108"	4¾"	3"	White

*All colors of Tory require a large bottom bar and are not available to order with cordless control or square bottom bar.

MATERIALS REFERENCE - ROOM-DARKENING

PATTERN CODE	PATTERN NAME	COLOR	PRICE GROUP	MAXIMUM WIDTH	MAXIMUM LENGTH	BAND SIZE		RECOMMENDED COMPONENT COLOR
						FABRIC	SHEER	
BR05	Brantley	Bark	E	108"	108"	4"	2¾"	Bronze
BR01	Brantley	Beige	E	108"	108"	4"	2¾"	Beige
BR02	Brantley	Charcoal	E	108"	108"	4"	2¾"	Gray
BR03	Brantley	Natural Gray	E	108"	108"	4"	2¾"	Gray
BR04	Brantley	White	E	108"	108"	4"	2¾"	Gray
BG01	Briggs	Charcoal	D	110"	108"	4"	2¾"	Black
BG02	Briggs	Clay	D	110"	108"	4"	2¾"	Gray
BG03	Briggs	Light Gray	D	110"	108"	4"	2¾"	Gray
BG04	Briggs	White	D	110"	108"	4"	2¾"	White
DL02	Declan	Iron	E	108"	108"	3"	2"	Black
DL01	Declan	Ivory	E	108"	108"	3"	2"	Beige
EV11	Evlin	Black	D	110"	108"	3¾"	2"	Black
LD01	Landry	Anthracite	D	110"	108"	3¾"	2½"	Gray
LD02	Landry	Mist	D	110"	108"	3¾"	2½"	Gray
LN01	Lena	Heather Gray	E	108"	108"	4¾"	3"	Gray
LN04	Lena	Mist	E	108"	108"	4¾"	3"	White
LN03	Lena	Sand	E	108"	108"	4¾"	3"	Beige
LN02	Lena	Walnut	E	108"	108"	4¾"	3"	Bronze
MA01	Mara	Bronze	E	108"	108"	4"	2¾"	Bronze
MA02	Mara	Ivory	E	108"	108"	4"	2¾"	Gray
MA03	Mara	Silver	E	108"	108"	4"	2¾"	Gray
MNA05	Mina	White	E	110"	120"	3⅞"	2¾"	White
NK01	Nika	Ivory	E	108"	108"	4"	2¾"	Beige
NK02	Nika	White	E	108"	108"	4"	2¾"	White
PLA04	Pula	Almond	E	110"	120"	3⅞"	2¾"	Beige
PLA01	Pula	Midnight	E	110"	120"	3⅞"	2¾"	Black
PLA02	Pula	Mist	E	110"	120"	3⅞"	2¾"	Gray
PLA03	Pula	Snow	E	110"	120"	3⅞"	2¾"	White

All room-darkening fabrics require a large bottom bar.

ABOUT DUAL SHEER SHADES

SHADE CARE AND CLEANING

Dual Sheer Shades are decorative in nature and are made using polyester materials. The fabrics in this collection should not be treated with harsh chemicals.

When dusting is required, use something gentle. We recommend a vacuum brush or lightly dusting by hand.

Light steaming may be used in the event of wrinkles. Please be sure to avoid contact with the fabric and hold the steamer at least 6" away.

If spot cleaning is required, use only water or a very mild detergent. Cleaning the shade in its entirety can cause it to shrink, leave water spots, or alter the color of the fabric.

PATTERN MATCHING AND SIDE BY SIDE SHADES

Fabric band matching is available for shades ordered in the same fabric and the same control type that are the **exact same length**.

When ordering, be sure to note that shades are side by side.

Please note, remakes for side by side shades can not be promised with all bands aligned, unless all side by side shades are ordered on the same remake. In the case of ordering mistakes for side by side shades, we can offer our standard 20% "Oops Discount" for all shades on the order that require pattern matching.

SHADE APPEARANCE

Because of their construction and fabric, Dual Sheer Shades may show waviness when not properly installed.

It is important to ensure shades will be installed to a level mounting surface or that shims are used to level the brackets. All provided brackets must be installed and evenly spaced.

This is especially important for shades wider than 95".

SHADE OPERATION

Open the fabric bands to allow light into the room.

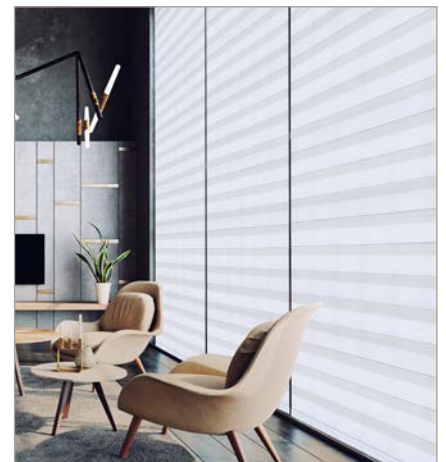
Close the bands for privacy or to reduce glare.

Raise the shade to allow full light and enjoy the view.

Note: When the shade is fully lowered with bands open, the hem bar will sit above the window sill. Gap between the sill and hem bar will match the pattern's sheer band size.



KINGSTON BRIGHT WHITE SHADE
with fabric bands open



KINGSTON BRIGHT WHITE SHADE
with fabric bands closed

SHADE STYLES

CASSETTE OPTIONS

Dual Sheer Shades come standard with a rounded or square cassette.

Rounded cassettes will include a fabric insert. Square cassettes come standard unwrapped or can be fabric wrapped for a surcharge.

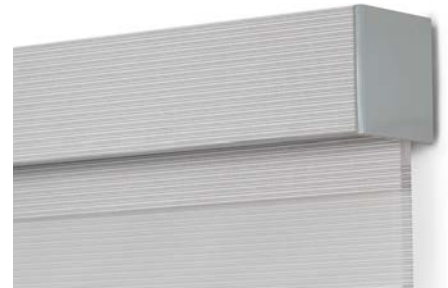
Available in 5 colors: white, beige, gray, bronze, and black.



ROUNDED CASSETTE
with fabric insert (standard)



SQUARE CASSETTE
unwrapped (standard)



SQUARE CASSETTE
wrapped (surcharge)



WHITE



BEIGE



GRAY

cassette and cord colors



BRONZE



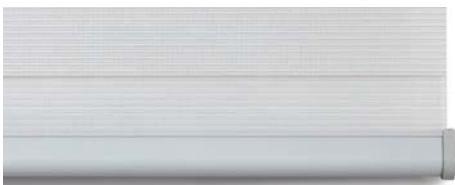
BLACK

BOTTOM BAR OPTIONS

Bottom bar color will match the cassette.

Clutch and motorized shades come standard with an unwrapped rounded or square bottom bar, and can be fabric wrapped for a surcharge.

Cordless bottom bars have a rounded shape and come standard unwrapped. Cordless bottom bars can be fabric wrapped for a surcharge.



ROUNDED BOTTOM BAR
unwrapped (standard for clutch and motorized)



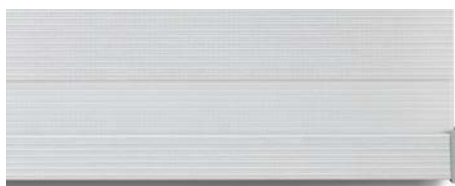
SQUARE BOTTOM BAR
unwrapped (standard for clutch and motorized)



CORDLESS BOTTOM BAR
unwrapped (standard for cordless)



ROUNDED BOTTOM BAR
wrapped (surcharge for clutch and motorized)



SQUARE BOTTOM BAR
wrapped (surcharge for clutch and motorized)



CORDLESS BOTTOM BAR
wrapped (surcharge for cordless)

SHADE CONTROL OPTIONS

CLUTCH CONTROL SHADES

Standard control is clutch with plastic beaded chain in 5 colors: white, beige, gray, bronze, and black. Cords are color coordinated to match cassette color.

Cord loops come in standard sizes. The size closest to $\frac{3}{4}$ length of shade is standard. A different size may be selected for no additional charge.

Custom length metal bead chain is available as a surcharge option.

Compliant cord tensioners are provided with clutch control shades. Cord tensioners secure the cord loop to the wall or window. They must be installed for the shade to be compliant with safety regulations and to operate properly.

CORD LENGTH OPTIONS
19½"
29½"
39"
49"
59"
69"
79"
89"
98"



CLUTCH SHADE

CORDLESS SHADES

Cordless shades can be set to an exact position by raising or lowering the bottom bar. All cordless shades will include a handle, which can be pulled when lowering the shade.

Fabrics noted with * on the Materials Table are not available to order with cordless control.

Cordless bottom bar can be fabric wrapped for a surcharge.

Lift Assist pole is available to help raise and lower cordless shades. Pole telescopes to 53".

Note: Cordless shades use a different bottom bar than available for clutch or motorized shades. See page 7 for details.



CORDLESS SHADE



LIFT ASSIST



CORDLESS HANDLE
with lift assist

MOTORIZED SHADE CONTROL OPTIONS

PRO WAND SHADES

Pro Wand shades are powered by a rechargeable battery motor and are operated using a wand, which hangs to the side of the shade.

Pro Wand is a good alternative to cordless when the window or shade size makes it hard to raise or lower the shade.

Charging port for the motor battery is located on the bottom of the wand handle.

Wand is only available in White.

4 available wand lengths: 24", 36", 48", and 60".



WAND CONTROL SHADE



WAND HANDLE



CHARGING PORT

MOTORIZED SHADE CONTROL OPTIONS

REMOTE CONTROL SHADES

Remote motor shades are available with rechargeable and hardwired motors which can be controlled with remotes, wall switches, or motor hubs.

See available options below.



WHITE REMOTE
(15-channel)



BLACK REMOTE
(15-channel)



WALL SWITCH
(15-channel)



REMOTE CONTROL SHADE

REMOTE MOTORS

	RECHARGEABLE LITHIUM ION	12 V DC HARDWIRED	12 V DC EXTERNAL POWER	100-240 AC HARDWIRED ^[1]
MOTOR TYPE	Standard Lift	Standard Lift (13" lead wire)	Standard Lift (13" lead wire)	Standard Lift (43" lead wire)
POWER SUPPLY	Internal	Hardwired	AA Battery Tube ^[2] External LI Rechargeable Battery Pack ^[3] Plug-In Power Adapter ^[4]	Hardwired (AC wall plug not available through this collection)
CHARGER	16½' (USB-C) Standard Lift	-	16½' (USB-C) (used to recharge LI Battery Pack)	-
ACCESSORIES	-	8" Wire Harness (included for no additional charge)	6" or 48" Extension Cables (extension for Battery Pack) 48" or 96" Extension Cables ^[5] (extension for Power Adapter)	-
REMOTE	15-Channel Remote 15-Channel Wall Switch			
AUTOMATION	Berkely Hub			

^[1]Requires installation by an electrician.

^[2]Battery tubes are included with shades free of charge. Battery Tube has a 5¼" attached lead wire. Requires eight Alkaline batteries (non-rechargeable), Energizer® Ultimate Lithium™ L91 Batteries, or Lithium batteries (rechargeable). Batteries are not included with battery tube.

^[3]Battery Pack has a 5¼" lead wire. Requires recharging. Ships separately from shades.

^[4]Plug-in Power Adapter has a 60" lead wire. Powers motor directly through a standard wall outlet.

^[5]When paired with the Plug-In Power Adapter, the total cable length should not exceed 16½'.



EXTERNAL LI BATTERY PACK



PLUG-IN POWER ADAPTER

BERKELY HUB

Connects through 2.4 GHz wifi or directly to router with ethernet cable.

Works with Connector+ App, Amazon Alexa, Control4, Google Home, IFTTT, RTI, Samsung Smart Things, and Siri Short Cuts.



BERKELY HUB

SPECIFICATIONS

SHADE INSTALLATION SPECIFICATIONS

	MINIMUM WIDTH	MAXIMUM WIDTH ^[1]	MINIMUM HEIGHT	MAXIMUM HEIGHT	FLUSH IB DEPTH (TOP MOUNT)	FLUSH IB DEPTH (FACE MOUNT)	MINIMUM IB DEPTH (TOP MOUNT)	CONTROL END GAP	IDLE END GAP	DIFFERENCE IN SHADE & FABRIC WIDTH
ROUNDED CASSETTE										
CLUTCH & LOOP	16"	110"	20"	108"	3¾"	3¾"	1"	⅝"	⅜"	1"
CORDLESS	24 ^[2] "	96"	20"	99"	3¾"	3¾"	1"	⅝"	⅜"	1"
PRO WAND CONTROL	23"	110"	20"	108"	3¾"	3¾"	1"	⅝"	⅜"	1"
Remote Control Motors	23"	110"	20"	108"	3¾"	3¾"	1"	⅝"	⅜"	1"
• STANDARD LITHIUM ION	23"	110"	20"	108"	3¾"	3¾"	1"	⅝"	⅜"	1"
• STANDARD DC MOTOR	15"	110"	20"	108"	3¾"	3¾"	1"	⅝"	⅜"	1"
• STANDARD AC MOTOR	20½"	110"	20"	108"	3¾"	3¾"	1"	⅝"	⅜"	1"
SQUARE CASSETTE										
CLUTCH & CHAIN	16"	110"	20"	108"	3⅝"	3⅝"	1"	⅝"	⅜"	1"
CORDLESS	24 ^[2] "	96"	20"	99"	3⅝"	3⅝"	1"	⅝"	⅜"	1"
PRO WAND CONTROL	23"	110"	20"	108"	3⅝"	3⅝"	1"	⅝"	⅜"	1"
Remote Control Motors	23"	110"	20"	108"	3⅝"	3⅝"	1"	⅝"	⅜"	1"
• STANDARD LITHIUM ION	23"	110"	20"	108"	3⅝"	3⅝"	1"	⅝"	⅜"	1"
• STANDARD DC MOTOR	15"	110"	20"	108"	3⅝"	3⅝"	1"	⅝"	⅜"	1"
• STANDARD AC MOTOR	20½"	110"	20"	108"	3⅝"	3⅝"	1"	⅝"	⅜"	1"

A deduction of ¼" will be made to all IB shades.

^[1]Fabric Widths: Check the Materials Reference table for individual fabric maximum width.

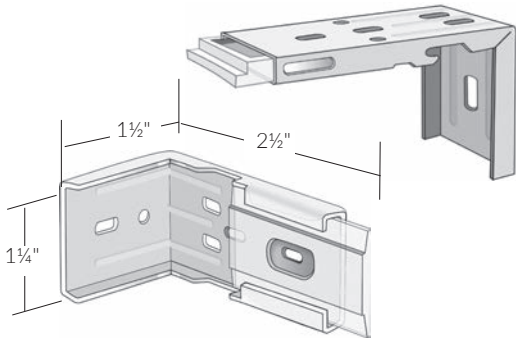
^[2]Cordless Shades: Cordless shades can be ordered with a minimum width of 20" for shades up to 60" long.

SPECIFICATIONS

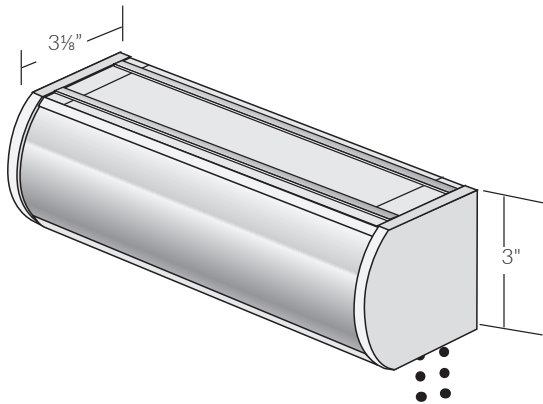
INSTALLATION DIMENSIONS

BRACKET DIMENSIONS

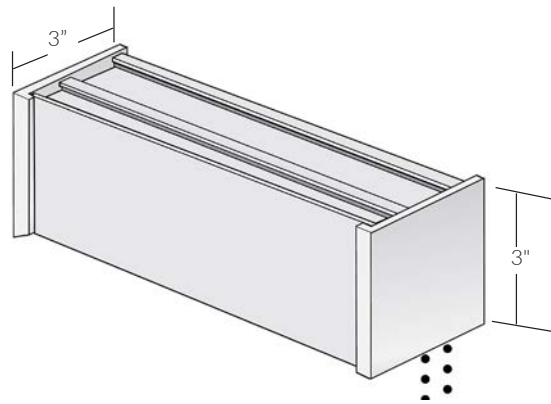
Rounded and square cassettes



ROUNDED CASSETTE DIMENSIONS

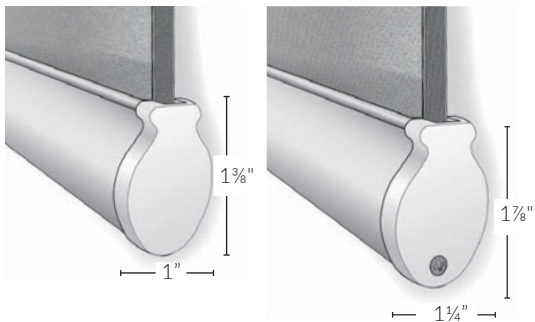


SQUARE CASSETTE DIMENSIONS

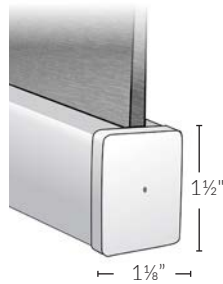


BOTTOM BAR

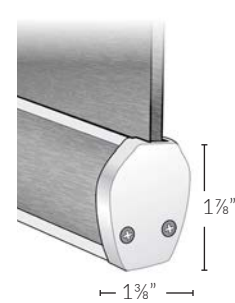
Small and large* bottom bar dimensions



SQUARE BOTTOM BAR



CORDLESS BOTTOM BAR



*A large bottom bar is required on some patterns, as noted by the Materials Reference table.

SHADE PRICING - GROUP A AND B

PRICE GROUP A		WIDTH											
		24"	30"	36"	42"	48"	54"	60"	66"	72"	84"	96"	110"
Asher Theo	36"	\$243	\$261	\$279	\$298	\$315	\$334	\$365	\$388	\$410	\$478	\$547	\$615
	42"	\$254	\$276	\$298	\$319	\$339	\$383	\$425	\$452	\$478	\$558	\$637	\$717
	48"	\$267	\$292	\$315	\$339	\$389	\$437	\$487	\$517	\$547	\$637	\$727	\$819
	54"	\$279	\$306	\$334	\$383	\$437	\$492	\$547	\$582	\$615	\$717	\$819	\$921
	60"	\$292	\$322	\$365	\$425	\$487	\$547	\$607	\$646	\$684	\$797	\$911	\$1,024
	66"	\$303	\$337	\$402	\$467	\$534	\$601	\$668	\$711	\$750	\$877	\$1,001	\$1,127
	72"	\$315	\$365	\$437	\$511	\$583	\$656	\$728	\$775	\$819	\$956	\$1,093	\$1,230
	78"	\$328	\$394	\$474	\$552	\$632	\$710	\$790	\$840	\$887	\$1,036	\$1,183	\$1,331
	84"	\$339	\$425	\$511	\$596	\$679	\$765	\$850	\$905	\$956	\$1,114	\$1,274	\$1,433
	90"	\$365	\$456	\$547	\$637	\$728	\$819	\$911	\$969	\$1,024	\$1,195	\$1,366	\$1,536
	96"	\$389	\$487	\$583	\$679	\$776	\$875	\$971	\$1,035	\$1,093	\$1,274	\$1,456	\$1,638
	108"	\$437	\$547	\$656	\$765	\$875	\$984	\$1,093	\$1,162	\$1,230	\$1,433	\$1,638	\$1,843

Check the Materials Reference table for selected fabric maximum width and length.

PRICE GROUP B		WIDTH											
		24"	30"	36"	42"	48"	54"	60"	66"	72"	84"	96"	110"
Leigh	36"	\$294	\$312	\$331	\$349	\$367	\$385	\$419	\$446	\$472	\$550	\$630	\$708
	42"	\$305	\$328	\$349	\$370	\$391	\$441	\$490	\$522	\$550	\$642	\$734	\$826
	48"	\$318	\$342	\$367	\$391	\$447	\$502	\$559	\$596	\$630	\$734	\$838	\$943
	54"	\$331	\$357	\$385	\$441	\$502	\$566	\$630	\$669	\$708	\$826	\$943	\$1,060
	60"	\$342	\$373	\$419	\$490	\$559	\$630	\$699	\$744	\$787	\$917	\$1,048	\$1,180
	66"	\$355	\$388	\$461	\$540	\$615	\$692	\$769	\$818	\$864	\$1,009	\$1,153	\$1,297
	72"	\$367	\$419	\$502	\$587	\$671	\$754	\$838	\$893	\$943	\$1,100	\$1,258	\$1,414
	78"	\$379	\$454	\$546	\$636	\$727	\$818	\$908	\$967	\$1,022	\$1,191	\$1,362	\$1,533
	84"	\$391	\$490	\$587	\$686	\$782	\$881	\$979	\$1,042	\$1,100	\$1,285	\$1,467	\$1,650
	90"	\$419	\$525	\$630	\$735	\$838	\$942	\$1,048	\$1,115	\$1,180	\$1,376	\$1,572	\$1,768
	96"	\$447	\$559	\$671	\$782	\$894	\$1,007	\$1,119	\$1,189	\$1,258	\$1,467	\$1,677	\$1,886
	108"	\$502	\$630	\$754	\$881	\$1,007	\$1,132	\$1,258	\$1,340	\$1,414	\$1,650	\$1,886	\$2,122

Check the Materials Reference table for selected fabric maximum width and length.

SHADE PRICING - GROUP C AND D

PRICE GROUP C		WIDTH											
		24"	30"	36"	42"	48"	54"	60"	66"	72"	84"	96"	110"
Albion Matteo	36"	\$343	\$363	\$383	\$403	\$422	\$442	\$447	\$493	\$520	\$606	\$693	\$779
	42"	\$357	\$379	\$403	\$425	\$448	\$504	\$523	\$575	\$606	\$708	\$808	\$909
	48"	\$369	\$395	\$422	\$448	\$512	\$576	\$598	\$657	\$693	\$808	\$924	\$1,040
	54"	\$383	\$412	\$442	\$504	\$576	\$647	\$671	\$739	\$779	\$909	\$1,040	\$1,168
	60"	\$395	\$429	\$479	\$560	\$639	\$719	\$745	\$820	\$866	\$1,011	\$1,154	\$1,299
	66"	\$409	\$445	\$528	\$615	\$704	\$792	\$820	\$903	\$953	\$1,111	\$1,270	\$1,429
	72"	\$422	\$479	\$576	\$671	\$767	\$863	\$895	\$985	\$1,040	\$1,212	\$1,384	\$1,558
	78"	\$436	\$520	\$624	\$727	\$831	\$935	\$969	\$1,066	\$1,126	\$1,313	\$1,500	\$1,688
	84"	\$448	\$560	\$671	\$782	\$895	\$1,007	\$1,044	\$1,148	\$1,212	\$1,414	\$1,617	\$1,818
	90"	\$479	\$600	\$719	\$838	\$959	\$1,078	\$1,119	\$1,231	\$1,299	\$1,516	\$1,732	\$1,948
	96"	\$512	\$639	\$767	\$895	\$1,023	\$1,151	\$1,193	\$1,312	\$1,384	\$1,617	\$1,847	\$2,078
	108"	\$576	\$719	\$863	\$1,007	\$1,151	\$1,294	\$1,343	\$1,477	\$1,558	\$1,818	\$2,078	\$2,337

Check the Materials Reference table for selected fabric maximum width and length.

PRICE GROUP D		WIDTH											
		24"	30"	36"	42"	48"	54"	60"	66"	72"	84"	96"	110"
Alaia Alessa Bixby Briggs Evlín Kingston Landry Lani Loma Solana	36"	\$426	\$446	\$466	\$485	\$505	\$525	\$569	\$604	\$637	\$743	\$850	\$956
	42"	\$440	\$463	\$485	\$508	\$531	\$598	\$664	\$706	\$743	\$867	\$991	\$1,114
	48"	\$453	\$478	\$505	\$531	\$607	\$683	\$759	\$806	\$850	\$991	\$1,132	\$1,274
	54"	\$466	\$495	\$525	\$598	\$683	\$769	\$853	\$906	\$956	\$1,114	\$1,274	\$1,433
	60"	\$478	\$512	\$569	\$664	\$759	\$853	\$948	\$1,008	\$1,062	\$1,239	\$1,415	\$1,592
	66"	\$492	\$528	\$626	\$731	\$834	\$938	\$1,043	\$1,108	\$1,167	\$1,362	\$1,556	\$1,752
	72"	\$505	\$569	\$683	\$797	\$911	\$1,024	\$1,137	\$1,208	\$1,274	\$1,486	\$1,698	\$1,910
	78"	\$518	\$617	\$740	\$863	\$986	\$1,109	\$1,233	\$1,308	\$1,380	\$1,610	\$1,840	\$2,069
	84"	\$531	\$664	\$797	\$930	\$1,062	\$1,195	\$1,327	\$1,410	\$1,486	\$1,733	\$1,981	\$2,229
	90"	\$569	\$711	\$853	\$995	\$1,137	\$1,279	\$1,421	\$1,509	\$1,592	\$1,857	\$2,122	\$2,388
	96"	\$607	\$759	\$911	\$1,062	\$1,214	\$1,365	\$1,517	\$1,610	\$1,698	\$1,981	\$2,264	\$2,547
	108"	\$683	\$853	\$1,024	\$1,195	\$1,365	\$1,536	\$1,706	\$1,813	\$1,910	\$2,229	\$2,547	\$2,865

Check the Materials Reference table for selected fabric maximum width and length.

SHADE PRICING - GROUP E

PRICE GROUP E		WIDTH											
		24"	30"	36"	42"	48"	54"	60"	66"	72"	84"	96"	110"
Addison Brantley Declan Lena Mara Marble Mina Nika Pula Tory	36"	\$515	\$532	\$551	\$570	\$587	\$606	\$657	\$697	\$739	\$861	\$985	\$1,127
	42"	\$527	\$548	\$570	\$590	\$613	\$689	\$765	\$815	\$861	\$1,005	\$1,148	\$1,314
	48"	\$540	\$563	\$587	\$613	\$700	\$788	\$876	\$932	\$985	\$1,148	\$1,312	\$1,503
	54"	\$551	\$579	\$606	\$689	\$788	\$886	\$985	\$1,047	\$1,107	\$1,292	\$1,477	\$1,690
	60"	\$563	\$595	\$657	\$765	\$876	\$985	\$1,094	\$1,164	\$1,231	\$1,434	\$1,641	\$1,878
	66"	\$576	\$610	\$722	\$843	\$962	\$1,082	\$1,203	\$1,279	\$1,353	\$1,578	\$1,803	\$2,065
	72"	\$587	\$657	\$788	\$918	\$1,049	\$1,181	\$1,312	\$1,396	\$1,477	\$1,720	\$1,967	\$2,254
	78"	\$600	\$711	\$853	\$995	\$1,136	\$1,278	\$1,421	\$1,513	\$1,598	\$1,866	\$2,131	\$2,440
	84"	\$613	\$765	\$918	\$1,072	\$1,224	\$1,378	\$1,531	\$1,629	\$1,720	\$2,009	\$2,295	\$2,628
	90"	\$657	\$820	\$985	\$1,148	\$1,312	\$1,476	\$1,639	\$1,745	\$1,844	\$2,152	\$2,459	\$2,815
	96"	\$700	\$876	\$1,049	\$1,224	\$1,400	\$1,574	\$1,749	\$1,862	\$1,967	\$2,295	\$2,622	\$3,003
	108"	\$788	\$985	\$1,181	\$1,378	\$1,574	\$1,771	\$1,967	\$2,094	\$2,213	\$2,582	\$2,951	\$3,379

Check the Materials Reference table for selected fabric maximum width and length.

DUAL SHEER SHADE PRICING - OPTIONS

CHAIN CONTROLS

METAL BEAD CHAIN: \$66

CORDLESS CONTROL

CORDLESS CONTROL UPGRADE: \$204

CORDLESS LIFT ASSIST POLE: \$85

FABRIC WRAPPED SQUARE CASSETTE

FABRIC WRAP UPGRADE: \$85

FABRIC WRAPPED BOTTOM BAR

PRICED BY WIDTH (ALL BOTTOM BAR STYLES)

24"	30"	36"	42"	48"	54"	60"	66"	72"	84"	96"	110"
\$33	\$40	\$50	\$57	\$65	\$73	\$82	\$89	\$98	\$114	\$130	\$146

MOTORIZATION UPGRADES

MOTORS	
PRO WAND MOTOR	\$192
STANDARD REMOTE MOTOR <i>RECHARGEABLE LITHIUM ION, DC, AND AC STYLES</i>	\$370
CONTROLS, BATTERIES, AND CHARGERS	
HAND HELD REMOTE (15-CHANNEL)	\$104
WALL SWITCH (15-CHANNEL)	\$104
BERKELY HUB	\$600
RECHARGEABLE LI BATTERY PACK <i>EXTERNAL POWER SUPPLY FOR DC MOTOR</i>	\$177
PLUG IN POWER ADAPTER <i>EXTERNAL POWER SUPPLY FOR DC MOTOR</i>	\$64
6" EXTENSION CABLE <i>EXTENSION CABLE FOR LI BATTERY PACK</i>	\$34
48" EXTENSION CABLE <i>EXTENSION CABLE FOR LI BATTERY PACK/POWER ADAPTER</i>	\$46
96" EXTENSION CABLE <i>EXTENSION CABLE FOR POWER ADAPTER</i>	\$51
16½' CHARGER <i>CHARGES PRO WAND/LI MOTORS AND LI BATTERY PACK</i>	\$52

WARNING ON CORDED PRODUCTS

Ensuring child safety is paramount when it comes to window treatments.

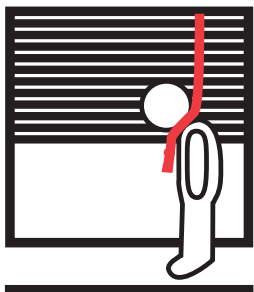
When ordering products with continuous cord loops, there is the risk of strangulation when cord tension devices are not properly installed. **ALWAYS** install cord tension devices and keep them intact for the full life of the shade.

To mitigate the risk of child strangulation, choose cordless window coverings, which eliminate the danger of dangling cords.

BERKELY DISTRIBUTION BERKELY DUAL SHEER SHADES

⚠️ WARNING ⚠️ ADVERTENCIA

ANSIWOMA A100.1-2022



Window Blind Cord Strangulation Risk

Window blinds with a damaged or loose tension device or retractable cord that fails to fully retract pose a strangulation risk to children. To avoid this potential strangulation risk, consider purchasing cordless products with inaccessible cords.

Riesgo de Estrangulamiento en Cuerdas de Persianas

Las persianas con un dispositivo tensor suelto o dañado o con una cuerda retráctable que no se ajusta completamente representan un riesgo de estrangulación para los niños. Para evitar un posible riesgo de estrangulamiento, considere comprar productos inalámbricos o productos con cuerdas inaccesibles.