



Berkely Roller USA

Product Guide



Table of Contents

Product Information	1-2
Products	
Clutch Continuous Cord Loop Tension Device	3
Motorized Shade Control Options	4
Cordless	5
Roller Fabric List	6
Roller Price Groups	7-8
Product Maximums and Minimums	9
Measuring	10
Child Safety Information	11

Brackets, Headrails, and Bottomrail Information

OPEN ROLL SHADES

Clutch and motorized open roll shades come with (4) color-coordinated brackets. Cordless open roll shades are only available with cassette

ROUNDED CASSETTE WITH FABRIC INSERT

- Available in 3" and 4" sizes
- Available in 4 colors: white, off white, silver, and black

SQUARE CASSETTE

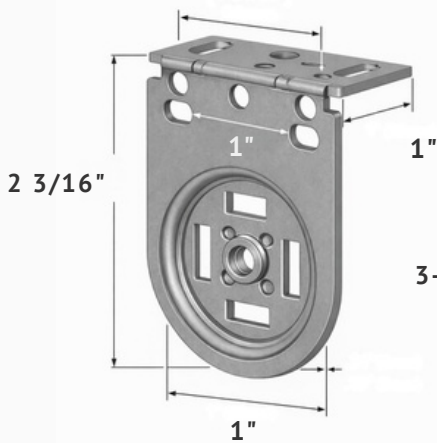
- Available in 3"
- Available in 4 colors: white, off white, silver, and black

FASCIA

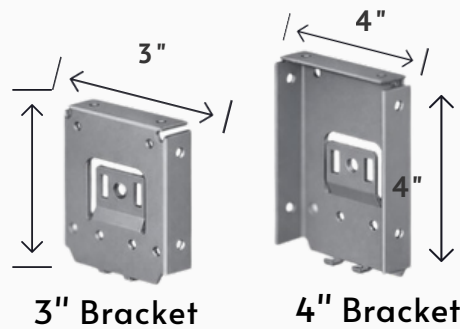
- Available in 3" and 4" sizes
- Available in 4 colors: white, off white, silver, and black.



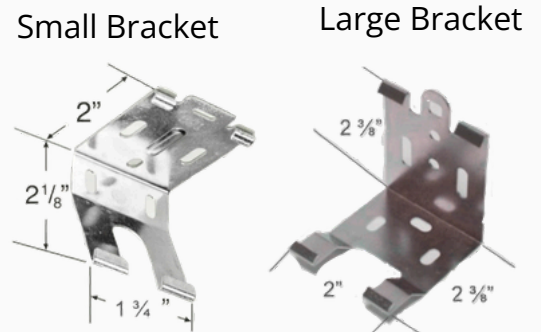
Open Roll Bracket



Fascia Brackets



Cassette Bracket



TOP TREATMENT - Colors



White



Off White



Silver

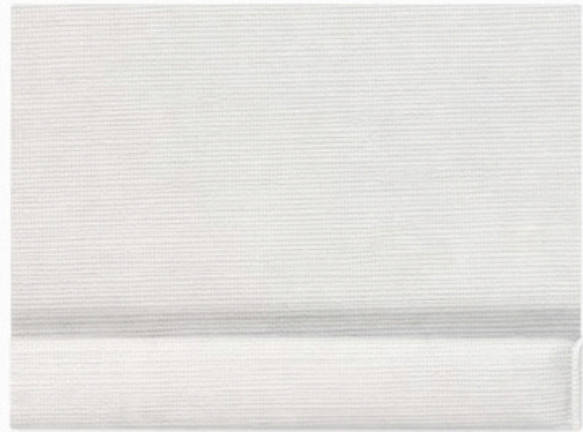


Black

Hem Bars



Fabric Wrapped



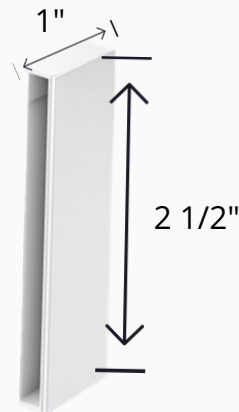
Heat Sealed

Light Block PVC

Colors: White/Vanilla/Black/Gray



Side Channel



Products

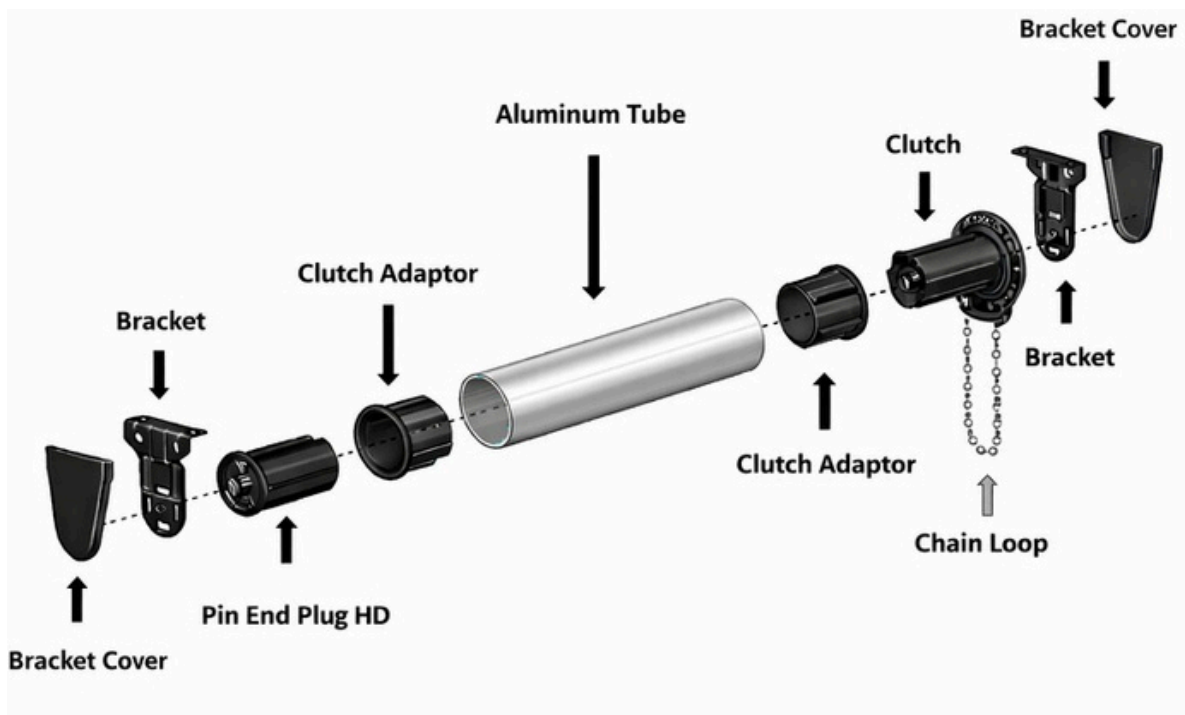
Clutch | Continuous Cord Loop | Safety Tension Device

In compliance with the CPSC's new guidelines for child safety, our standard Clutch Safety Tension Device offers superior safety which can be mounted to the frame of the window.

- Chain Bead loops are available in metal.
- Clutches are available in four coordinating colors: white, vanilla, gray and black.
- Standard chain length is $\frac{3}{4}$ length of shade. Custom chain lengths available as a surcharge option.
- Compliant cord tensioners are provided with clutch control shades.

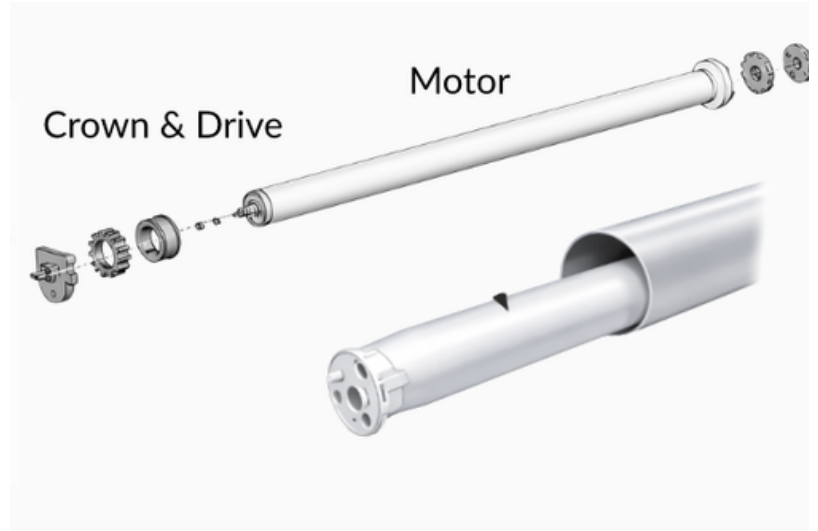
	Clutch
	Clutch Adaptor
	Pin End Plug
	Pin End Plug HD
	Chain Hold Base

Cord tensioners secure the cord loop to the wall or window. They must be installed for the shade to be compliant with safety regulations and to operate properly.



Products

Motorized Shade Control Options



Motor Type	Basics Motor (not recommended over for shades 96"x96")	Low-Voltage DC Motor 1.1	Low-Voltage DC Motor 2.0	1.1 Lithium-ion	2.0 Lithium-ion
Power Source	Rechargeable (lithium-ion)	Power Panel or Battery Pack	Power Panel or Battery Pack	Rechargeable (lithium-ion)	Rechargeable (lithium-ion)
Charging Port	Micro-USB	USB-C	USB-C	Micro-USB	Micro-USB
Remote Options	5-Ch Remote	15-Ch. Remote 15-Ch Wall Switch	15-Ch. Remote 15-Ch Wall Switch	15-Ch. Remote 15-Ch Wall Switch	15-Ch. Remote 15-Ch Wall Switch

				
Basics Motor	15 Channel Remote	Wall Switch	Power Panel	Connection Harness




Products

Cordless

Cordless roller shades offer a modern window covering solution with a spring assisted lift system for smooth operation.

Designed for safety and convenience while providing adjustable light control.



	SpringBox	Tension control mechanism that enables smooth accerscilled lifting.
	GearBox	Core mechanical component that controls the lifting and lowering of the shade
	End Plug	Non-Drive support component on opposite side of gearbox

****Cordless Roller Shades only offered with round or square cassette****

These devices meet the requirements of the ANSI/WCMA A100.1-2002 standard, which is the industry standard for window covering safety.

Roller Shade And Solar Fabric List

Style Name	Price group	Opacity	Max Width	Fab SQ Cass
Coral Harbor	1	Light Filtering	118"	Y
Coral Harbor BO	2	Room Darkening	118"	Y
George Town	2	Light Filtering	118"	Y
George Town BO	3	Room Darkening	118"	Y
West End	1	Light Filtering	118"	Y
West End BO	2	Room Darkening	118"	Y
Madrid	2	Light Filtering	118"	Y
Madrid BO	3	Room Darkening	118"	Y
Solar	3	1%	118"	N
Solar	2	3%	118"	N
Solar	1	5%	118"	N

Autometrix Precision Cutting Table



Pricing

Price Group 1		West end LF, Coral Harbor LF, 5% solar shade														
Height Up To	Width Up To															
	24	30	36	42	48	54	60	66	72	78	84	90	96	108	118	Side Channel
36	226	231	235	262	288	315	342	369	396	424	450	478	504	531	643	180
48	227	235	237	264	291	319	346	373	400	427	454	481	508	535	643	240
60	243	251	249	278	306	334	362	390	418	446	474	502	530	558	689	300
72	259	267	269	292	321	350	379	408	437	467	496	524	553	582	734	360
84	275	283	285	306	336	366	396	427	456	486	516	546	577	606	782	420
96	292	299	305	320	351	382	414	444	475	507	538	568	599	631	827	480
108	346	364	371	402	444	486	526	568	610	651	693	735	777	828	874	540
120	366	386	392	423	468	510	554	598	642	686	729	773	818	872	920	600
132	387	406	412	445	491	536	582	627	674	719	766	811	858	915	966	660
144	416	435	442	481	529	578	626	676	725	773	823	872	921	983	1034	720
Sill	90	90	90	120	120	150	150	180	180	210	210	240	240	270	300	

Price Group 2		West end B/O, Coral Harbor B/O, George Town LF, 3% solar shade, Madrid LF														
Height Up To	Width Up To															
	24	30	36	42	48	54	60	66	72	78	84	90	96	108	118	Side Channel
36	228	236	262	294	324	354	386	417	449	479	510	541	573	603	719	180
48	233	249	266	297	328	360	390	421	453	483	514	545	577	607	723	240
60	240	256	284	318	350	383	416	449	483	515	549	581	615	647	785	300
72	262	271	302	337	373	407	442	477	512	548	582	618	652	688	847	360
84	277	289	320	357	394	431	469	505	542	579	617	653	690	728	909	420
96	295	308	338	377	416	456	495	534	572	611	650	689	729	768	971	480
108	349	364	415	465	516	567	617	667	718	769	820	870	921	982	1034	540
120	369	386	438	492	546	599	653	707	761	814	868	922	976	1041	1096	600
132	391	406	463	521	578	633	690	747	804	861	918	975	1031	1101	1158	660
144	90	90	90	120	120	150	180	180	210	210	240	240	240	270	300	720
Sill	90	90	90	120	120	150	150	180	180	210	210	240	240	270	300	

Price Group 3		George Town B/O, 1% solar shade, Madrid B/O														
Height Up To	Width Up To															
	24	30	36	42	48	54	60	66	72	78	84	90	96	108	118	Side Channel
36	230	258	294	329	363	398	434	468	504	534	574	608	644	679	801	180
48	236	262	297	333	367	402	437	472	508	538	578	612	648	683	805	240
60	248	281	320	357	395	433	471	510	548	548	623	662	700	738	882	300
72	265	300	341	382	423	464	505	546	588	588	670	711	752	793	959	360
84	280	320	363	407	451	496	539	583	627	627	716	759	804	848	1037	420
96	297	338	386	432	480	526	573	621	667	667	761	809	855	903	1113	480
108	351	406	465	525	585	645	703	764	823	823	943	1002	1063	1132	1191	540
120	371	429	492	555	618	679	742	806	868	868	994	1056	1120	1193	1269	600
132	392	454	521	588	654	720	787	854	921	921	1055	1122	1189	1268	1346	660
144	90	90	90	120	120	150	180	180	210	210	240	240	240	270	300	720
Sill	90	90	90	120	120	150	150	180	180	210	210	240	240	270	300	

Cassette (square, curved, or Fascia)* if non valance ordered, Shade will come "Open Roll")

24	36	48	60	72	84	96	108	118
80	120	160	200	240	280	320	365	400

Pricing

Add Ons / Surcharge Pricing	
Basics Motor	\$200
Basics Wand Motor	\$170
5 Channel Basics Remote	\$75
DC Motor 1.1 LV Wired	\$315
DC Motor 2.0 LV Wired	\$415
1.1 LI Rechargeable Motor	\$315
2.0 LI Rechargeable Motor	\$415
15 Channel LI/DC Remote	\$75
15 Channel LI/DC Wall Switch	\$125
Power Panel	\$700
DC Connection Harness	\$30
Li Battery pack	\$150
Cordless Surcharge	\$135
Charger/Cable	\$70
Cordless	\$135
Width over 84" Freight Charge	\$150
Side Light Blocker	\$10 / ft

Roller Shade and Solar Shade Product Information

Cordless System		
Specifications	Minimum	Maximum
Width	20"	96"
Height	24"	96"

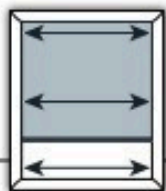
Clutch System		
Specifications	Minimum	Maximum
Width	10"	96"
Height	24"	120"

RD Fabric with Flat Headrail can only have a max height of 86"

MOTORIZED RECHARGEABLE RADIO REMOTE CONTROL SYSTEM (WITH WAND)		
Specifications	Minimum	Maximum
Width	20"	96 on 1.5" tube / 118 on 2"Tube
Height	24"	120"

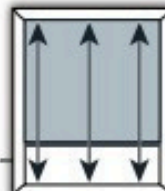
RD Fabric with Square Casset can only have a max height of 86"
 Open Roll Motorized has a min Width of 23"

Measuring



INSIDE MOUNT WIDTH (IB)

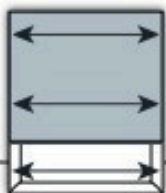
- Measure the exact width of the inside edge of the window frame. – Top, Middle, and Bottom.
- Make all measurements to the nearest 1/8th inch, round DOWN for width.
- Take the SMALLEST of the 3 measurements, this is the width that you will order.
- Production department will make the necessary deductions to ensure the shade fits inside your window.



INSIDE MOUNT HEIGHT (IB)

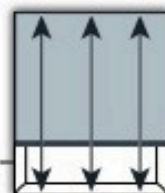
- Measure the exact height from the top inside edge down to the window sill in 3 places. – Left, Middle, Right
- Make all measurements to the nearest 1/8th inch, round UP for height.
- Take the LARGEST of the 3 measurements, this is the height that you will order.

NOTE: IB - THE FACTORY WILL DEDUCT 1/8-3/16" OFF THE TOTAL WIDTH.



OUTSIDE MOUNT WIDTH (OB)

- Measure the exact width of the window frame or how wide you would like the shade to be.
- Be sure to measure wide enough to cover the entire window (and trim if desired) to provide maximum light coverage.
- Example: If the window opening is 36" wide, it might be helpful to order 40" if the space allows. This will provide 2" coverage on each side of the window.
- No deductions/additions will be made to the width ordered.



OUTSIDE MOUNT HEIGHT (OB)

- Measure the height you would like the shade to be by measuring top to bottom.
- Be sure to measure high enough to cover the entire window (and trim if desired) to provide maximum light coverage.
- Example: If the window opening is 60" high, it might be helpful to order 64" if the space allows. This will provide 2" coverage on top and bottom of the window.
- No deductions/additions will be made to the height ordered.

NOTE: OB - THE FACTORY WILL MAKE THE PRODUCT TO THE EXACT MEASUREMENTS PROVIDED. Shades can be +/- an additional 1/8" within factory standard post production.

CHILD SAFETY INFORMATION

THE MANUFACTURER IS COMMITTED TO CHILD SAFETY REGARDING WINDOW COVERINGS

The Manufacturer has committed to join the Window Covering Manufacturers Association's new safety standards in the efforts to prevent accidents involving children and pets with accessible cords and by offering other product options that are child-safe custom window coverings.

"BEST FOR KIDS" CERTIFIED PROGRAM

Window Covering Manufacturers Association (WCMA) announced the industry's first third-party certification program designed to help consumers and retailers identify window covering products that are best suited for use in homes with young children. To be part of the new Best for Kids program, products are submitted to a WCMA-recognized third party testing laboratory where the products are required to meet stringent criteria. Once the products meet these criteria, they are Certified Best For Kids. The Manufacturer has a number of products with this distinction.



CHILD SAFETY IS SERIOUS BUSINESS

That's why the Manufacturer is removing all cords from products, in compliance with the Consumer Product Safety Commission's new guidelines for child-safe window treatments. A variety of control options, including the Safety Wand, traditional cordless control, and motorization, are available, providing the same convenience while making safety a top priority. For more information on the CPSC's new guidelines and the Manufacturer's compliance with them,

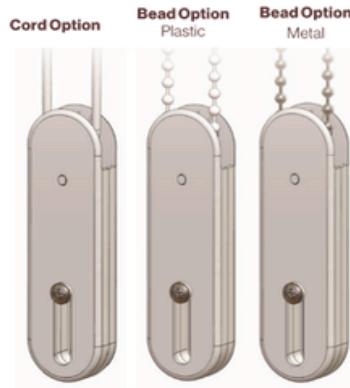
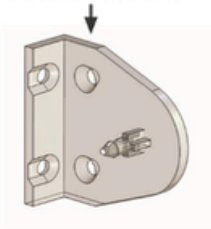
please visit: [federalregister.gov/documents/2022/11/28/2022-25041/safety-standard-for-operating-cords-on-custom-window-coverings](https://www.federalregister.gov/documents/2022/11/28/2022-25041/safety-standard-for-operating-cords-on-custom-window-coverings).



OUR SOLUTION

In compliance with the CPSC / WCMA / ANSI new guidelines for child safety, our standard CCL Safety Tension Device offers superior safety which can be mounted to the frame of the window.

Outside Mount



The new, optional Safe Wand control system, introduced in compliance with the CPSC / WCMA / ANSI new guidelines for child safety, offers superior safety without compromising on convenience.

Optional

Hold button and slide along wand to raise shade
or
Hold button and slide along wand to lower shade



These devices meet the requirements of the ANSI/WCMA A1001-2022 standard, which is the industry standard for window covering safety.

REESE'S LAW

These products are designed and manufactured in compliance with Reese's Law (P.L. 117-171), including the safety standard for button cell and coin batteries (16 CFR Part 1263), which incorporates by reference UL 4200A-2023.

⚠ WARNING	
<ul style="list-style-type: none"> • INGESTION HAZARD: This product contains a button cell or coin battery • DEATH or serious injury can occur if ingested. • A swallowed button cell or coin battery can cause Internal Chemical Burns in as little as 2 hours. • KEEP new and used batteries OUT OF REACH of CHILDREN • Seek immediate medical attention if a battery is suspected to be swallowed or inserted inside any part of the body. 	

BERKELY DESIGNER USA

Roller Shades

PROUDLY MANUFACTURED IN ANNA, TX

Premium Fabrics

Precision Manufacturing

Reliable Lead Times

Partner With Berkely Distribution

www.berkelydistribution.com

info@berkelydistribution.com

