



BERKELY DISTRIBUTION

BERKELY EXPRESS ROLLER SHADES

2025 PRODUCT GUIDE



WARRANTY INFORMATION

WHO ARE WE: This warranty is being given to you by Berkely Distribution.

WHAT IS COVERED: Our products are covered by a 5 year warranty against defects in componentry and workmanship. Faux wood products are covered for a period of 1 year and do not include cords.

WHO IS COVERED: This warranty extends only to you as the original purchaser, in a residential application.

WHAT IS NOT COVERED: This warranty does not cover normal wear and tear or any damage or loss caused by abuse or misuse or improper installation. All materials can lose original intensity after long exposure to the sun. When left for extended periods in direct sunlight, plastics and pvc tend to crack and discolor. All cords will eventually wear out, Berkely Distribution considers these things normal wear and tear not covered by this warranty. Colors and textures vary from lot to lot and may not exactly match sample swatches or previous purchases. Products ordered outside of the recommended manufacturing specifications (oversized blinds) are not covered by this warranty. All products/sku's discontinued in the normal course of business are specifically excluded from our warranty. Faux Wood products carry a 1 year warranty. Fraying caused by improper installation (tracking) is not covered.

FOR HOW LONG: This warranty coverage will be for 5 years to you the original buyer at retail on our products. Any implied warranties which you may have are in duration to the time during which you, as the original buyer at retail own our products. Some states do not allow limitations on how long an implied warranty lasts.

WHAT WILL WE DO: If your product is defective during the warranty period we will, at our option, either repair or replace, the defective product. This shall be your sole remedy under this warranty. For local jobs installed by our install team, we offer a 30 day warranty on the installation service. Should you require assistance outside of the 30 day installation period, our standard service call rates will apply. Installation warranty does not apply to jobs installed outside of the DFW area.

NO LIABILITY FOR INCIDENTAL OR CONSEQUENTIAL DAMAGES: Repair or replacement of defective products are your sole remedy under this warranty and incidental or in no event shall we be liable for transportation costs to or from the dealer, costs of removal or re-installation of our products or incidental or consequential damages. Some states do not allow the exclusion of incidental or consequential damages, so the limitation or exclusion may not apply to you. Please inspect your orders upon receipt before taking them to your customer's home or office. By doing this we can be sure that any defects or damages never arrive at the customer's home or office. If you are in need of spare parts to keep on hand, please feel free to call our customer service department and we will gladly send them to you.

MOTORIZATION: Products with motorization carry a 3 year warranty. All costs associated with freight damage are the sole responsibility of the dealer.

HOW TO GET SERVICE: To obtain service under this warranty, return your products along with the original sales receipt to the dealer from which it was purchased. You will be responsible for transporting the product to and from the dealer.

YOUR RIGHTS UNDER STATE LAW: This warranty gives you specific legal rights, and you may also have other rights which may vary from state to state.

Care & Cleaning

HORIZONTAL BLINDS

Regular cleaning with a feather duster or soft, clean cloth is typically all that is needed to keep blinds looking new. Blinds may also be cleaned using a hand-held vacuum with a brush attachment using low suction. Stained wood blinds should be treated periodically with lemon-oil or other wood preservative to protect their finish

SHUTTERS

If the surfaces of the shutters become dirty, wash with a mild soap or detergent using a soft cloth. For difficult to remove dirt or stains, a water-based household cleaner can be used. Chlorine base cleaners or other cleaners containing organic solvents could affect the surface appearance and durability of the product.

Roller Shades

If the fabric of the roller shades becomes dirty, we recommend using a magic eraser.

MATERIALS REFERENCE

CODE	NAME	COLOR	PRICE GROUP	COMP	MAX WIDTH	MAX HEIGHT	MAX SIZE	COMP COLOR	FAB SQ CASS
BD-20001	Bordeaux BO	White	2	100% Polyester	118	144	117x144	White	Y
BD-20010	Bordeaux BO	Beige	2	100% Polyester	118	144	117x144	Off White	Y
BD-20015	Bordeaux BO	Gray	2	100% Polyester	118	144	117x144	Silver	Y
BD-20029	Bordeaux BO	Shadow	2	100% Polyester	118	144	117x144	Silver	Y
BD-10101	Bordeaux LF	White	1	100% Polyester	118	144	117x144	White	Y
BD-10110	Bordeaux LF	Beige	1	100% Polyester	118	144	117x144	Off White	Y
BD-10115	Bordeaux LF	Gray	1	100% Polyester	118	144	117x144	Silver	Y
BD-10129	Bordeaux LF	Shadow	1	100% Polyester	118	144	117x144	Silver	Y
LR-20001	La Rochelle BO	White	2	100% Polyester	118	144	117x144	White	Y
LR-20010	La Rochelle BO	Beige	2	100% Polyester	118	144	117x144	Off White	Y
LR-20011	La Rochelle BO	Taupe	2	100% Polyester	118	144	117x144	Off White	Y
LR-10101	La Rochelle LF	White	1	100% Polyester	118	144	117x144	White	Y
LR-10110	La Rochelle LF	Beige	1	100% Polyester	118	144	117x144	Off White	Y
LR-10111	La Rochelle LF	Taupe	1	100% Polyester	118	144	117x144	Off White	Y

SPECIFICATIONS

SHADE INSTALLATION SPECIFICATIONS

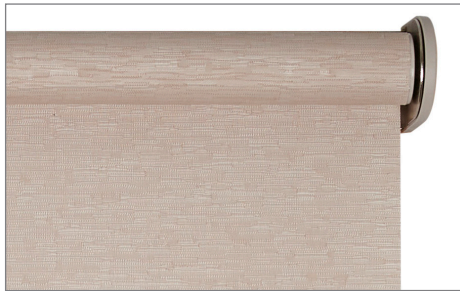
	MINIMUM WIDTH	MAXIMUM WIDTH ⁽¹⁾	MINIMUM HEIGHT	MAXIMUM HEIGHT	FLUSH IB DEPTH (TOP MOUNT)	FLUSH IB DEPTH (FACE MOUNT)	MINIMUM IB DEPTH (TOP MOUNT)
OPEN ROLL							
CLUTCH & CHAIN ^[2]	10"	108"	12"	96"	2 3/8"	3"	1 1/8"
WAND CONTROL	18"	96"	20"	96"	2 3/8"	3"	1 1/8"
Remote Control Motors	18"	108"	12"	96"	2 3/8"	3"	1 1/8"
• LITHIUM ION							
• DC PLUG-IN	18"	108"	12"	96"	2 3/8"	3"	1 1/8"
WITH SMALL CASSETTE ^[3]							
CLUTCH & CHAIN ^[2]	12"	108"	12"	96"	3 1/4"	3 1/4"	1"
WAND CONTROL	19"	96"	20"	96"	3 1/4"	3 1/4"	1"
Remote Control Motors	19"	108"	12"	96"	3 1/4"	3 1/4"	1"
• LITHIUM ION							
• DC PLUG-IN	19"	108"	12"	96"	3 1/4"	3 1/4"	1"
WITH LARGE CASSETTE ^[3]							
CLUTCH & CHAIN ^[2]	12"	108"	12"	96"	4"	4"	1"
WAND CONTROL	19"	96"	20"	96"	4"	4"	1"
Remote Control Motors	19"	108"	12"	96"	4"	4"	1"
• LITHIUM ION							
• DC PLUG-IN	19"	108"	12"	96"	4"	4"	1"
WITH SQUARE CASSETTE							
CLUTCH & CHAIN ^[2]	12"	108"	12"	96"	4"	4"	1"
Remote Control Motors	19"	96"	20"	96"	4"	4"	1"
• LITHIUM ION							
• DC PLUG-IN	19"	108"	12"	96"	4"	4"	1"
WITH 3" FASCIA							
CLUTCH & CHAIN ^[2]	12"	108"	12"	96"	3 1/8"	3 1/8"	1"
Remote Control Motors	19"	96"	20"	96"	3 1/8"	3 1/8"	1"
• LITHIUM ION							
• DC PLUG-IN	19"	108"	12"	96"	3 1/8"	3 1/8"	1"
WITH 4" FASCIA							
CLUTCH & CHAIN ^[2]	12"	108"	12"	96"	4 1/8"	4 1/8"	1"
Remote Control Motors	19"	96"	20"	96"	4 1/8"	4 1/8"	1"
• LITHIUM ION							
• DC PLUG-IN	19"	108"	12"	96"	4 1/8"	4 1/8"	1"

A deduction of 1/8" will be made to all IB shades.

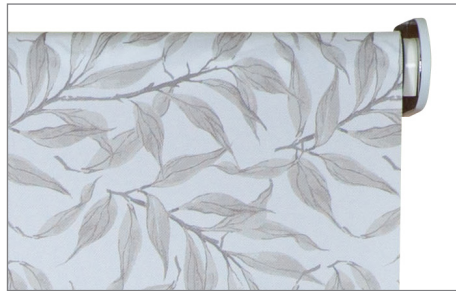
SHADE OPTIONS

ROLL TYPE

Standard or reverse roll. Reverse roll not available in cassettes.



STANDARD ROLL



REVERSE ROLL

HEM BARS

FABRIC WRAPPED

- Standard for all fabrics.



FABRIC WRAPPED HEM BAR

CONTROL OPTIONS

CLUTCH CONTROL SHADES

- Metal bead chain only
- Spring assist is available as a surcharge option for heavier shades. See Specification Note ^[2] on page 16 for size limitations.
- Compliant cord tensioners are provided with clutch control shades. Cord tensioners secure the cord loop to the wall or window. They must be installed for the shade to be compliant with safety regulations and to operate properly.



MOTORIZED SHADE CONTROL OPTIONS

WAND CONTROL SHADES

- Wand control shades are operated by a rechargeable lithium-ion battery motor.
- Battery charging port located in back of the wand handle.
- 1 available wand colors: white



WAND
with USB charger



WAND CONTROL SHADE

REMOTE CONTROL SHADES

Remote motor shades are available with rechargeable and hardwired motors which can be controlled with remotes, or wall switches

See available options below.

MOTOR TYPE	POWER SOURCE
Rollease Basic	Recharge Li-ion
Rollease Wand	Recharge Li-ion
Rollease DC	Low Volt DC-
Elegance	Recharge Li-ion
Elegance Wand	Recharge Li-ion

ACCESSORIES	
Rollease Basic	5 Ch Remote
Rollease DC	5 Ch Remote
	15 Ch Remote-
	5 Ch Wall Switch
Elegance Remote	15 Ch Remote
Charger/Cable	USB
Rollease DC	Power Panel
	Connection Harness

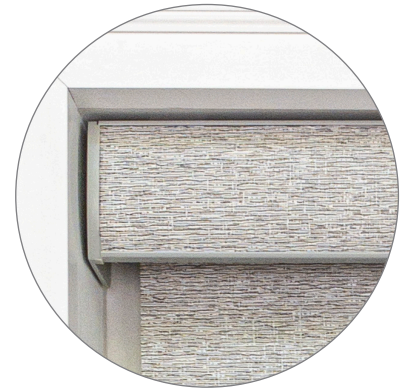


REMOTE CONTROL SHADE

TOP TREATMENTS

ROUNDED CASSETTE WITH FABRIC INSERT

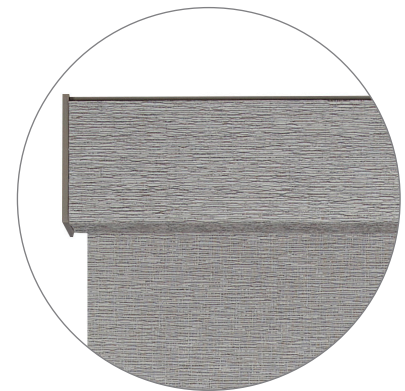
- Available in 3” and 4” sizes. Maximum width and length for 3” cassette is 78”.
- Available in 4 colors: white, off white, silver, and black.
- Fabric insert can be custom ordered in any fabric.
- Standard roll only.



ROUNDED CASSETTE VALANCE
with fabric insert

SQUARE CASSETTE

- Available in 3” and 4” sizes. Maximum width and length for 3” cassette is 78”.
- Available in 4 colors: white, off white, silver, and black.
- Fabric wrap available as a surcharge option. Can be custom ordered in most fabrics. See exceptions in Light-Filtering Materials Reference table.
- Standard roll only.



SQUARE CASSETTE VALANCE
with fabric wrap (surcharge)



WHITE

OFF WHITE

SILVER

BLACK

ROUNDED AND SQUARE CASSETTE VALANCE COLORS
with matching chain loop

OPEN ROLL SHADES

- Clutch and motorized open roll shades come standard with silver brackets and color-coordinated bracket covers. White and black brackets are also available and are not supplied with bracket covers.
- Cordless open roll shades are available with either white or black raceway bar, installation brackets, and color-coordinated end caps.



SILVER (STANDARD)

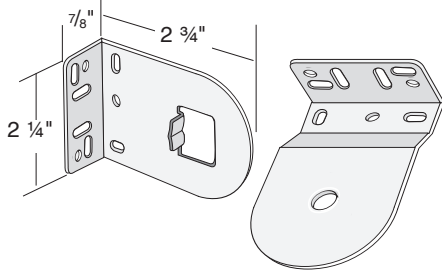
WHITE

BLACK

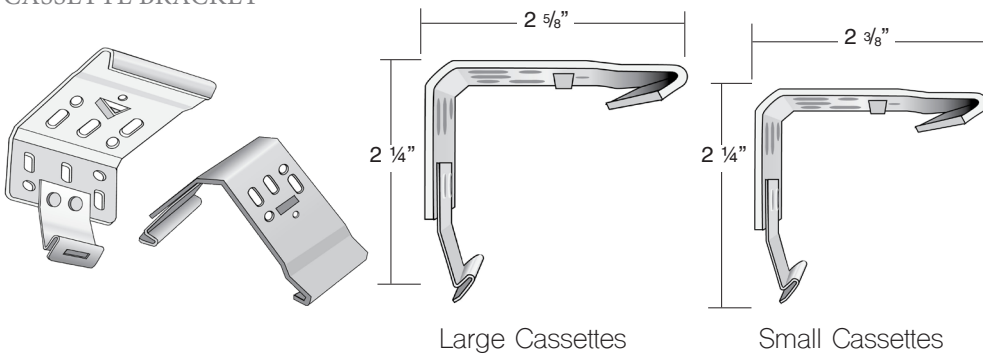
SPECIFICATIONS

BRACKET DIMENSIONS

STANDARD OPEN ROLL BRACKET
(Clutch and Motorized Shades)

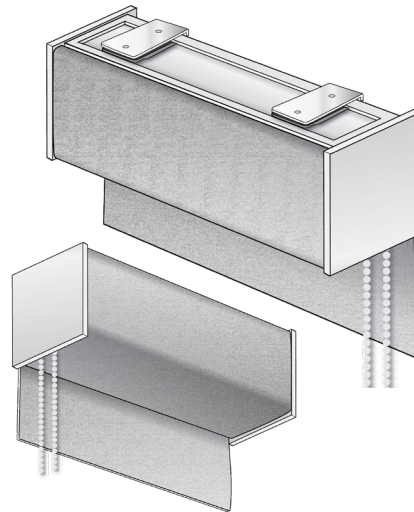


CASSETTE BRACKET



TOP TREATMENT MOUNTING DIMENSIONS

SQUARE CASSETTE
Small and large cassette dimensions



ROLLER SHADE PRICING

		WIDTH															
PRICE GROUP 1 BORDEAUX LF, LAROCHELLE LF	LENGTH	24	30	36	42	48	54	60	66	72	78	84	90	96	108	118	
		36	172	198	224	249	276	302	328	354	380	406	432	458	484	510	597
		48	183	210	237	264	291	319	346	373	400	427	454	481	508	535	643
		60	194	222	249	278	306	334	362	390	418	446	474	502	530	558	689
		72	205	234	264	292	321	350	379	408	437	467	496	524	553	582	734
		84	216	246	276	306	336	366	396	427	456	486	516	546	577	606	782
		96	227	258	289	320	351	382	414	444	475	507	538	568	599	631	827
		108	276	319	361	402	444	486	526	568	610	651	693	735	777	828	874
		120	293	336	380	423	468	510	554	598	642	686	729	773	818	872	920
		132	308	353	400	445	491	536	582	627	674	719	766	811	858	915	966
144	334	383	432	481	529	578	626	676	725	773	823	872	921	983	1034		

TOP TREATMENTS	24	36	48	60	72	84	96	108	118
	80	120	160	200	240	280	320	365	400

		WIDTH															
PRICE GROUP 2 BORDEAUX BO, LAROCHELLE BO	LENGTH	24	30	36	42	48	54	60	66	72	78	84	90	96	108	118	
		36	190	219	248	276	306	335	364	393	422	451	481	510	538	567	661
		48	204	235	266	297	328	360	390	421	453	483	514	545	577	607	723
		60	218	251	284	318	350	383	416	449	483	515	549	581	615	647	785
		72	232	267	302	337	373	407	442	477	512	548	582	618	652	688	847
		84	246	283	320	357	394	431	469	505	542	579	617	653	690	728	909
		96	260	299	338	377	416	456	495	534	572	611	650	689	729	768	971
		108	313	364	415	465	516	567	617	667	718	769	820	870	921	982	1034
		120	332	386	438	492	546	599	653	707	761	814	868	922	976	1041	1096
		132	350	406	463	521	578	633	690	747	804	861	918	975	1031	1101	1158
144	374	435	496	557	617	678	739	800	861	922	983	1044	1105	1179	1245		

TOP TREATMENTS	24	36	48	60	72	84	96	108	118
	80	120	160	200	240	280	320	365	400

- BASICS MOTOR 220
- BOFU MOTOR 250
- REMOTE FOR BASICSAND BOFU 80
- CHARGER/CABLE 70
- ROLLEASE WAND 170
- DC MOTOR 400
- 5 CHANNEL DC REMOTE 144
- 15 CHANNEL DC REMOTE 144
- 5 CHANNEL DC WALL SWITCH 115
- POWER PANEL 700
- DC CONNECTION HARNESS 35
- SPRING ASSIST 50
- CORDLESS 35
- EXTENTION POLE 60
- CHAIN OVER RIDE 60

Child Safe Remote Control Motor

Retrofit

Upgrade manual shade systems by simply swapping the clutch for a motor, eliminating the need to re-make the shade.

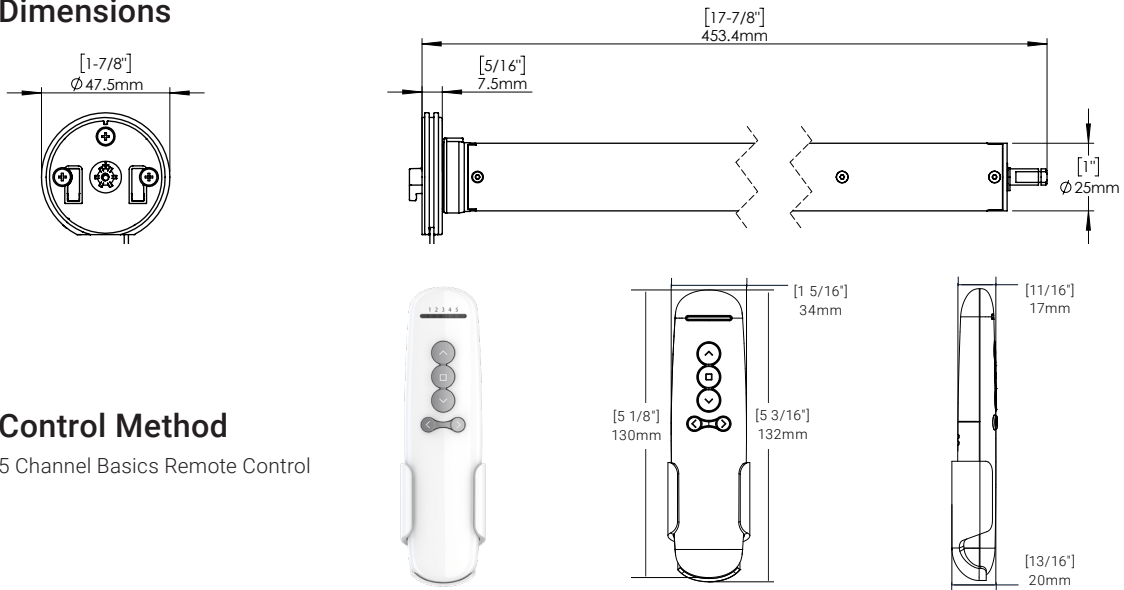
Remote Control

A 5 Channel Remote Control with a sleek design is used to operate the motor with basic up, down and stop functionality.

Child Safe

A entry level motor with basic functionality to support our child safe suite of products.

Dimensions



Control Method

5 Channel Basics Remote Control

Product Specifications

Voltage	5V-DC
Torque	1.1Nm
Max Run Time	12 min.
Speed	28 RPM (Adjustable to 20 or 24)
IP Rating	IP20
Temp Working Range	32°F to 140°F (0°C to 60°C)
Insulation Class	III

Limit Switch Type	Electronic
Current	0.80 A
Battery Size/Type	2600mAH
Sound Level	56dBs, testing under ISO3745
Power	9.6 W
Motor - Part # (20 units)	MT01-1325-069026-CT - 5V1.1NM Motor [025/5V/20RPM] BASICS
Remote - Part #	MT02-0101-069011 5 Channel Basics Remote Control

Basics

AUTOMATE™

Child Safe Wand Motor

Retrofit

Upgrade manual shade systems by simply swapping the clutch for a motor, eliminating the need to re-make the shade.

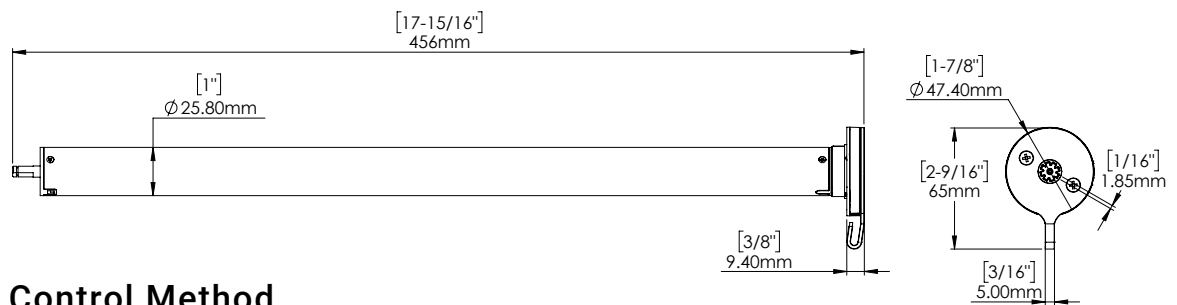
Wand Control

A 36" inch slimline wand is used to operate the motor with basic up, down and stop functionality.

Child Safe

A entry level motor with basic functionality to support our child safe suite of products.

Dimensions



Control Method

*Wand Control 36" (Only White)



Product Specifications

Voltage	5V-DC
Torque	1.1Nm
Max Run Time	12 min.
Speed	20 RPM (Adjustable to 25 or 30)
IP Rating	IP20
Temp Working Range	32°F to 140°F (0°C to 60°C)
Insulation Class	III

Limit Switch Type	Electronic
Current	0.80 A
Battery Size/Type	2600mAH
Sound Level	56dB's
Power	9.6 W
Motor - Part #	MT01-1325-069021-CT (20 units per Carton)
Wand - Part #	MT03-0301-069034 (20 units per Carton)



BERKELY DISTRIBUTION
BERKELY EXPRESS ROLLER SHADES

Berkely Distribution • 6951 Virginia Pkwy Suite 301 • McKinney, TX 75071 • Office: 945-327-0301