



BERKELY DISTRIBUTION

ANNABELLE ROLLER SHADES

2024 PRODUCT GUIDE



WARRANTY INFORMATION

WHO ARE WE: This warranty is being given to you by Berkely Distribution.

WHAT IS COVERED: Our products are covered by a 5 year warranty against defects in componentry and workmanship. Faux wood products are covered for a period of 1 year and do not include cords.

WHO IS COVERED: This warranty extends only to you as the original purchaser, in a residential application.

WHAT IS NOT COVERED: This warranty does not cover normal wear and tear or any damage or loss caused by abuse or misuse or improper installation. All materials can lose original intensity after long exposure to the sun. When left for extended periods in direct sunlight, plastics and pvc tend to crack and discolor. All cords will eventually wear out, Berkely Distribution considers these things normal wear and tear not covered by this warranty. Colors and textures vary from lot to lot and may not exactly match sample swatches or previous purchases. Products ordered outside of the recommended manufacturing specifications (oversized blinds) are not covered by this warranty. All products/sku's discontinued in the normal course of business are specifically excluded from our warranty. Faux Wood products carry a 1 year warranty. Fraying caused by improper installation (tracking) is not covered.

FOR HOW LONG: This warranty coverage will be for 5 years to you the original buyer at retail on our products. Any implied warranties which you may have are in duration to the time during which you, as the original buyer at retail own our products. Some states do not allow limitations on how long an implied warranty lasts.

WHAT WILL WE DO: If your product is defective during the warranty period we will, at our option, either repair or replace, the defective product. This shall be your sole remedy under this warranty. For local jobs installed by our install team, we offer a 30 day warranty on the installation service. Should you require assistance outside of the 30 day installation period, our standard service call rates will apply. Installation warranty does not apply to jobs installed outside of the DFW area.

NO LIABILITY FOR INCIDENTAL OR CONSEQUENTIAL DAMAGES: Repair or replacement of defective products are your sole remedy under this warranty and incidental or in no event shall we be liable for transportation costs to or from the dealer, costs of removal or re-installation of our products or incidental or consequential damages. Some states do not allow the exclusion of incidental or consequential damages, so the limitation or exclusion may not apply to you. Please inspect your orders upon receipt before taking them to your customer's home or office. By doing this we can be sure that any defects or damages never arrive at the customer's home or office. If you are in need of spare parts to keep on hand, please feel free to call our customer service department and we will gladly send them to you.

MOTORIZATION: Products with motorization carry a 3 year warranty. All costs associated with freight damage are the sole responsibility of the dealer.

HOW TO GET SERVICE: To obtain service under this warranty, return your products along with the original sales receipt to the dealer from which it was purchased. You will be responsible for transporting the product to and from the dealer.

YOUR RIGHTS UNDER STATE LAW: This warranty gives you specific legal rights, and you may also have other rights which may vary from state to state.

Care & Cleaning

HORIZONTAL BLINDS

Regular cleaning with a feather duster or soft, clean cloth is typically all that is needed to keep blinds looking new. Blinds may also be cleaned using a hand-held vacuum with a brush attachment using low suction. Stained wood blinds should be treated periodically with lemon-oil or other wood preservative to protect their finish

SHUTTERS

If the surfaces of the shutters become dirty, wash with a mild soap or detergent using a soft cloth. For difficult to remove dirt or stains, a water-based household cleaner can be used. Chlorine base cleaners or other cleaners containing organic solvents could affect the surface appearance and durability of the product.

Roller Shades

If the fabric of the roller shades becomes dirty, we recommend using a magic eraser.

MATERIALS REFERENCE

| CODE | NAME | COLOR | PRICE GROUP | COMP | MAX WIDTH | MAX HEIGHT | MAX SIZE | COMP COLOR | FAB SQ CASS |
|----------|----------------|-------------|-------------|----------------|-----------|------------|--------------|------------|-------------|
| BD-20001 | Bordeaux BO | White | 3 | 100% Polyester | 108 | 96 | 108x96 | White | Y |
| BD-20010 | Bordeaux BO | Beige | 3 | 100% Polyester | 108 | 96 | 108x96 | Off White | Y |
| BD-20015 | Bordeaux BO | Gray | 3 | 100% Polyester | 108 | 96 | 108x96 | Silver | Y |
| BD-20029 | Bordeaux BO | Shadow | 3 | 100% Polyester | 108 | 96 | 108x96 | Silver | Y |
| BD-10101 | Bordeaux LF | White | 1 | 100% Polyester | 108 | 96 | 108x96 | White | Y |
| BD-10110 | Bordeaux LF | Beige | 1 | 100% Polyester | 108 | 96 | 108x96 | Off White | Y |
| BD-10115 | Bordeaux LF | Gray | 1 | 100% Polyester | 108 | 96 | 108x96 | Silver | Y |
| BD-10129 | Bordeaux LF | Shadow | 1 | 100% Polyester | 108 | 96 | 108x96 | Silver | Y |
| CB-20002 | Chambéry BO | Nova | 3 | 100% Polyester | 96 | 96 | 96x96 | White | Y |
| CB-20011 | Chambéry BO | Taupe | 3 | 100% Polyester | 96 | 96 | 96x96 | Off White | Y |
| CB-20013 | Chambéry BO | Linen | 3 | 100% Polyester | 96 | 96 | 96x96 | White | Y |
| CB-20015 | Chambéry BO | Gray | 3 | 100% Polyester | 96 | 96 | 96x96 | Silver | Y |
| CB-20030 | Chambéry BO | Denim | 3 | 100% Polyester | 96 | 96 | 96x96 | Silver | Y |
| CH-20001 | Chelles BO | White | 1 | 100% Polyester | 96 | 96 | 96x96 | White | Y |
| CH-20012 | Chelles BO | Cream | 1 | 100% Polyester | 96 | 96 | 96x96 | Off White | Y |
| CH-20014 | Chelles BO | Sundew | 1 | 100% Polyester | 96 | 96 | 96x96 | Off White | Y |
| CH-20017 | Chelles BO | Mystic Gray | 1 | 100% Polyester | 96 | 96 | 96x96 | Silver | Y |
| CH-20022 | Chelles BO | Penny | 1 | 100% Polyester | 96 | 96 | 96x96 | Black | Y |
| CH-20028 | Chelles BO | Blacklore | 1 | 100% Polyester | 96 | 96 | 96x96 | Black | Y |
| LR-20001 | La Rochelle BO | White | 3 | 100% Polyester | 108 | 96 | 96x96,108x72 | White | Y |
| LR-20010 | La Rochelle BO | Beige | 3 | 100% Polyester | 108 | 96 | 96x96,108x72 | Off White | Y |
| LR-20011 | La Rochelle BO | Taupe | 3 | 100% Polyester | 108 | 96 | 96x96,108x72 | Off White | Y |
| LR-10101 | La Rochelle LF | White | 1 | 100% Polyester | 108 | 96 | 108x96 | White | Y |
| LR-10110 | La Rochelle LF | Beige | 1 | 100% Polyester | 108 | 96 | 108x96 | Off White | Y |
| LR-10111 | La Rochelle LF | Taupe | 1 | 100% Polyester | 108 | 96 | 108x96 | Off White | Y |
| LM-30301 | LeMans 3% | White | 3 | Polyester/PVC | 108 | 96 | 96x96,108x72 | White | N |
| LM-30313 | LeMans 3% | Linen | 3 | Polyester/PVC | 108 | 96 | 96x96,108x72 | Off White | N |
| LM-30315 | LeMans 3% | Gray | 3 | Polyester/PVC | 108 | 96 | 96x96,108x72 | Silver | N |
| LM-30324 | LeMans 3% | Black | 3 | Polyester/PVC | 108 | 96 | 96x96,108x72 | Black | N |
| LT-30105 | Lorient 1% | White/white | 3 | Polyester/PVC | 108 | 96 | 96x96,108x60 | White | N |
| LT-30106 | Lorient 1% | White/Linen | 3 | Polyester/PVC | 108 | 96 | 96x96,108x60 | Off White | N |
| LT-30107 | Lorient 1% | White/Gray | 3 | Polyester/PVC | 108 | 96 | 96x96,108x60 | Silver | N |

MATERIALS REFERENCE

| CODE | NAME | COLOR | PRICE GROUP | COMP | MAX WIDTH | MAX HEIGHT | MAX SIZE | COMP COLOR | FAB SQ CASS |
|----------|---------------|--------------|-------------|----------------|-----------|------------|--------------|------------|-------------|
| LT-30108 | Lorient 1% | White/Black | 3 | Polyester/PVC | 108 | 96 | 96x96,108x60 | Black | N |
| MS-20001 | Marseille BO | White | 2 | 100% Polyester | 108 | 96 | 108x96 | White | Y |
| MS-20015 | Marseille BO | Gray | 2 | 100% Polyester | 108 | 96 | 108x96 | Silver | Y |
| MS-20018 | Marseille BO | Pewter | 2 | 100% Polyester | 108 | 96 | 108x96 | Silver | Y |
| MS-10101 | Marseille LF | White | 1 | 100% Polyester | 108 | 96 | 108x96 | White | Y |
| MS-10115 | Marseille LF | Gray | 1 | 100% Polyester | 108 | 96 | 108x96 | Silver | Y |
| MS-10118 | Marseille LF | Pewter | 1 | 100% Polyester | 108 | 96 | 108x96 | Silver | Y |
| MP-30801 | Montpelier 8% | White | 2 | Polyester/PVC | 108 | 96 | 96x96,108x72 | White | N |
| MP-30813 | Montpelier 8% | Linen | 2 | Polyester/PVC | 108 | 96 | 96x96,108x72 | Off White | N |
| MP-30824 | Montpelier 8% | Black | 2 | Polyester/PVC | 108 | 96 | 96x96,108x72 | Black | N |
| OL-30105 | Orleans 1% | White/white | 2 | Polyester/PVC | 108 | 96 | 96x96,108x54 | White | N |
| OL-30106 | Orleans 1% | White/Linen | 2 | Polyester/PVC | 108 | 96 | 96x96,108x54 | Off White | N |
| OL-30107 | Orleans 1% | White/Gray | 2 | Polyester/PVC | 108 | 96 | 96x96,108x54 | White | N |
| OL-30120 | Orleans 1% | Gray/Gray | 2 | Polyester/PVC | 108 | 96 | 96x96,108x54 | Silver | N |
| OL-30125 | Orleans 1% | Black/Black | 2 | Polyester/PVC | 108 | 96 | 96x96,108x54 | Black | N |
| OL-30126 | Orleans 1% | Black/Gray | 2 | Polyester/PVC | 108 | 96 | 96x96,108x54 | Black | N |
| OL-30127 | Orleans 1% | Black/Bronze | 2 | Polyester/PVC | 108 | 96 | 96x96,108x54 | Black | N |
| OL-30305 | Orleans 3% | White/white | 2 | Polyester/PVC | 108 | 96 | 96x96,108x72 | White | N |
| OL-30306 | Orleans 3% | White/Linen | 2 | Polyester/PVC | 108 | 96 | 96x96,108x72 | Off White | N |
| OL-30307 | Orleans 3% | White/Gray | 2 | Polyester/PVC | 108 | 96 | 96x96,108x72 | Silver | N |
| OL-30320 | Orleans 3% | Gray/Gray | 2 | Polyester/PVC | 108 | 96 | 96x96,108x72 | Silver | N |
| OL-30325 | Orleans 3% | Black/Black | 2 | Polyester/PVC | 108 | 96 | 96x96,108x72 | Black | N |
| OL-30326 | Orleans 3% | Black/Gray | 2 | Polyester/PVC | 108 | 96 | 96x96,108x72 | Black | N |
| OL-30327 | Orleans 3% | Black/Bronze | 2 | Polyester/PVC | 108 | 96 | 96x96,108x72 | Black | N |
| OL-30503 | Orleans 5% | Bright White | 1 | Polyester/PVC | 108 | 96 | 96x96,108x72 | White | N |
| OL-30505 | Orleans 5% | White/white | 1 | Polyester/PVC | 108 | 96 | 96x96,108x72 | White | N |
| OL-30506 | Orleans 5% | White/Linen | 1 | Polyester/PVC | 108 | 96 | 96x96,108x72 | Off White | N |
| OL-30507 | Orleans 5% | White/Gray | 1 | Polyester/PVC | 108 | 96 | 96x96,108x72 | Silver | N |
| OL-30512 | Orleans 5% | Tan/Tan | 1 | Polyester/PVC | 108 | 96 | 96x96,108x72 | Off White | N |
| OL-30520 | Orleans 5% | Gray/Gray | 1 | Polyester/PVC | 108 | 96 | 96x96,108x72 | Silver | N |
| OL-30525 | Orleans 5% | Black/Black | 1 | Polyester/PVC | 108 | 96 | 96x96,108x72 | Black | N |
| OL-30526 | Orleans 5% | Black/Gray | 1 | Polyester/PVC | 108 | 96 | 96x96,108x72 | Black | N |

MATERIALS REFERENCE

| CODE | NAME | COLOR | PRICE GROUP | COMP | MAX WIDTH | MAX HEIGHT | MAX SIZE | COMP COLOR | FAB SQ CASS |
|-----------|----------------|--------------|-------------|----------------|-----------|------------|--------------|------------|-------------|
| OL-30527 | Orleans 5% | Black/Bronze | 1 | Polyester/PVC | 108 | 96 | 96x96,108x72 | Black | N |
| OL-30005 | Orleans BO | White/White | 3 | Polyester/PVC | 108 | 96 | 96x96,108x54 | White | N |
| OL-30006 | Orleans BO | White/Linen | 3 | Polyester/PVC | 108 | 96 | 96x96,108x54 | White | N |
| OL-30007 | Orleans BO | White/Gray | 3 | Polyester/PVC | 108 | 96 | 96x96,108x54 | White | N |
| OL-30055 | Orleans<1% | White/white | 3 | Polyester/PVC | 108 | 96 | 96x96,108x54 | White | N |
| OL-30056 | Orleans<1% | White/Linen | 3 | Polyester/PVC | 108 | 96 | 96x96,108x54 | White | N |
| OL-30057 | Orleans<1% | White/Gray | 3 | Polyester/PVC | 108 | 96 | 96x96,108x54 | White | N |
| OL-30070 | Orleans<1% | Gray/Gray | 3 | Polyester/PVC | 108 | 96 | 96x96,108x54 | Silver | N |
| OL-30075 | Orleans<1% | Black/Black | 3 | Polyester/PVC | 108 | 96 | 96x96,108x54 | Black | N |
| OL-30076 | Orleans<1% | Black/Gray | 3 | Polyester/PVC | 108 | 96 | 96x96,108x54 | Black | N |
| OL-300-77 | Orleans<1% | Black/Bronze | 3 | Polyester/PVC | 108 | 96 | 96x96,108x54 | Black | N |
| SD-30510 | Saint Denis 5% | Beige | 2 | Polyester/PVC | 108 | 96 | 96x96,108x72 | Off White | N |
| SD-30516 | Saint Denis 5% | Lt Gray | 2 | Polyester/PVC | 108 | 96 | 96x96,108x72 | Silver | N |
| SD-30519 | Saint Denis 5% | Dark Gray | 2 | Polyester/PVC | 108 | 96 | 96x96,108x72 | Silver | N |
| SD-30521 | Saint Denis 5% | Brown | 2 | Polyester/PVC | 108 | 96 | 96x96,108x72 | Off White | N |
| SD-30523 | Saint Denis 5% | Dark Brown | 2 | Polyester/PVC | 108 | 96 | 96x96,108x72 | Off White | N |
| SD-30524 | Saint Denis 5% | Black | 2 | Polyester/PVC | 108 | 96 | 96x96,108x72 | Black | N |
| TL-31001 | Toulouse 10% | White | 2 | Polyester/PVC | 96 | 96 | 96x96 | White | N |
| TL-31013 | Toulouse 10% | Linen | 2 | Polyester/PVC | 96 | 96 | 96x96 | Off White | N |
| TL-31019 | Toulouse 10% | Dark Gray | 2 | Polyester/PVC | 96 | 96 | 96x96 | Silver | N |
| VS-20001 | Versaille BO | White | 3 | 100% Polyester | 108 | 96 | 96x96,108x84 | White | Y |
| VS-20009 | Versaille BO | Cream | 3 | 100% Polyester | 108 | 96 | 96x96,108x84 | Off White | Y |
| VS-20015 | Versaille BO | Gray | 3 | 100% Polyester | 108 | 96 | 96x96,108x84 | Silver | Y |
| VS-10101 | Versaille LF | White | 2 | 100% Polyester | 108 | 96 | 108x96 | White | Y |
| VS-10109 | Versaille LF | Cream | 2 | 100% Polyester | 108 | 96 | 108x96 | Off White | Y |
| VS-10115 | Versaille LF | Gray | 2 | 100% Polyester | 108 | 96 | 108x96 | Silver | Y |

SPECIFICATIONS

SHADE INSTALLATION SPECIFICATIONS

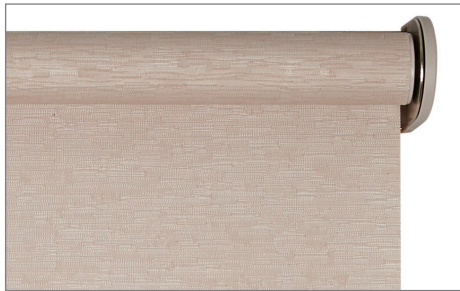
| | MINIMUM WIDTH | MAXIMUM WIDTH ⁽¹⁾ | MINIMUM HEIGHT | MAXIMUM HEIGHT | FLUSH IB DEPTH (TOP MOUNT) | FLUSH IB DEPTH (FACE MOUNT) | MINIMUM IB DEPTH (TOP MOUNT) |
|--|---------------|------------------------------|----------------|----------------|----------------------------|-----------------------------|------------------------------|
| OPEN ROLL | | | | | | | |
| CLUTCH & CHAIN ^[2] | 10" | 108" | 12" | 96" | 2 3/8" | 3" | 1 1/8" |
| WAND CONTROL | 18" | 96" | 20" | 96" | 2 3/8" | 3" | 1 1/8" |
| Remote Control Motors | | | | | | | |
| • LITHIUM ION | 18" | 108" | 12" | 96" | 2 3/8" | 3" | 1 1/8" |
| • DC PLUG-IN | 18" | 108" | 12" | 96" | 2 3/8" | 3" | 1 1/8" |
| WITH SMALL CASSETTE^[3] | | | | | | | |
| CLUTCH & CHAIN ^[2] | 12" | 108" | 12" | 96" | 3 1/4" | 3 1/4" | 1" |
| WAND CONTROL | 19" | 96" | 20" | 96" | 3 1/4" | 3 1/4" | 1" |
| Remote Control Motors | | | | | | | |
| • LITHIUM ION | 19" | 108" | 12" | 96" | 3 1/4" | 3 1/4" | 1" |
| • DC PLUG-IN | 19" | 108" | 12" | 96" | 3 1/4" | 3 1/4" | 1" |
| WITH LARGE CASSETTE^[3] | | | | | | | |
| CLUTCH & CHAIN ^[2] | 12" | 108" | 12" | 96" | 4" | 4" | 1" |
| WAND CONTROL | 19" | 96" | 20" | 96" | 4" | 4" | 1" |
| Remote Control Motors | | | | | | | |
| • LITHIUM ION | 19" | 108" | 12" | 96" | 4" | 4" | 1" |
| • DC PLUG-IN | 19" | 108" | 12" | 96" | 4" | 4" | 1" |
| WITH SQUARE CASSETTE | | | | | | | |
| CLUTCH & CHAIN ^[2] | 12" | 108" | 12" | 96" | 4" | 4" | 1" |
| Remote Control Motors | | | | | | | |
| • LITHIUM ION | 19" | 96" | 20" | 96" | 4" | 4" | 1" |
| • DC PLUG-IN | 19" | 108" | 12" | 96" | 4" | 4" | 1" |
| WITH 3" FASCIA | | | | | | | |
| CLUTCH & CHAIN ^[2] | 12" | 108" | 12" | 96" | 3 1/8" | 3 1/8" | 1" |
| Remote Control Motors | | | | | | | |
| • LITHIUM ION | 19" | 96" | 20" | 96" | 3 1/8" | 3 1/8" | 1" |
| • DC PLUG-IN | 19" | 108" | 12" | 96" | 3 1/8" | 3 1/8" | 1" |
| WITH 4" FASCIA | | | | | | | |
| CLUTCH & CHAIN ^[2] | 12" | 108" | 12" | 96" | 4 1/8" | 4 1/8" | 1" |
| Remote Control Motors | | | | | | | |
| • LITHIUM ION | 19" | 96" | 20" | 96" | 4 1/8" | 4 1/8" | 1" |
| • DC PLUG-IN | 19" | 108" | 12" | 96" | 4 1/8" | 4 1/8" | 1" |

A deduction of 1/8" will be made to all IB shades.

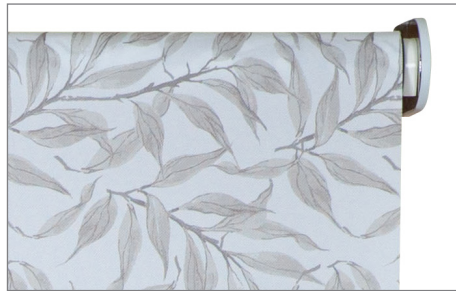
SHADE OPTIONS

ROLL TYPE

Standard or reverse roll. Reverse roll not available in cassettes.



STANDARD ROLL



REVERSE ROLL

HEM BARS

FABRIC WRAPPED

- Standard for all fabrics.



FABRIC WRAPPED HEM BAR

CONTROL OPTIONS

CLUTCH CONTROL SHADES

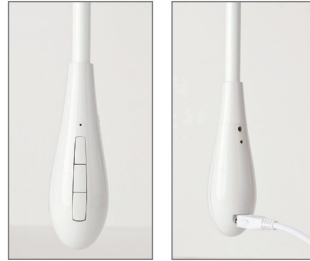
- Metal bead-chain only
- Standard chain length is $\frac{3}{4}$ length of shade. Custom chain lengths available as a surcharge option.
- Spring assist is available as a surcharge option for heavier shades. See Specification Note ^[2] on page 16 for size limitations.
- Compliant cord tensioners are provided with clutch control shades. Cord tensioners secure the cord loop to the wall or window. They must be installed for the shade to be compliant with safety regulations and to operate properly.



MOTORIZED SHADE CONTROL OPTIONS

WAND CONTROL SHADES

- Wand control shades are operated by a rechargeable lithium-ion battery motor.
- Battery charging port located in back of the wand handle.
- 1 available wand colors: white



WAND
with USB charger



WAND CONTROL SHADE

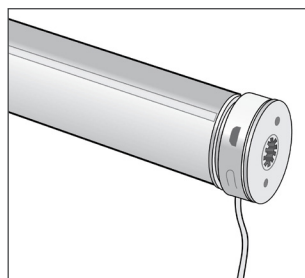
REMOTE CONTROL SHADES

Remote motor shades are available with rechargeable and hardwired motors which can be controlled with remotes, wall switches, or motor hubs.

See available options below.



REMOTE
(multi-channel)



MOTOR HEAD



REMOTE CONTROL SHADE

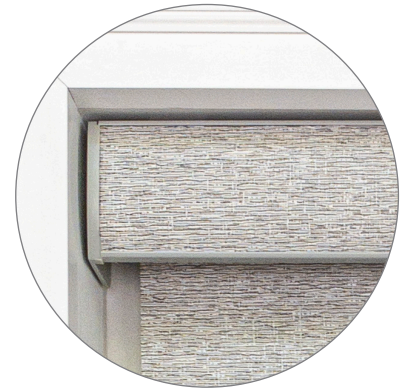
REMOTE MOTORS

| | RECHARGEABLE LITHIUM ION | 12 V DC HARDWIRED |
|--------------|---|---|
| MOTOR TYPE | Standard Lift Power Lift | Standard Lift |
| POWER SUPPLY | Internal | Hardwired |
| CHARGER | 16½" Micro USB | - |
| REMOTE | 15-Channel Remote 15-Channel Wall Switch | 15-Channel Remote 15-Channel Wall Switch |

TOP TREATMENTS

ROUNDED CASSETTE WITH FABRIC INSERT

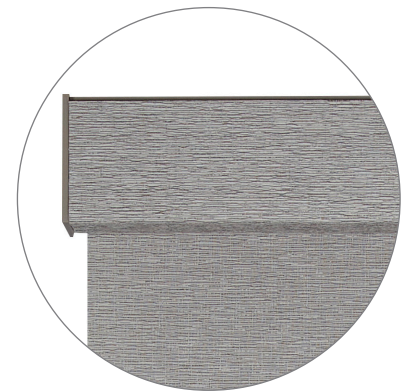
- Available in 3" and 4" sizes. Maximum width and length for 3" cassette is 78".
- Available in 4 colors: white, off white, silver, and black.
- Fabric insert can be custom ordered in any fabric.
- Standard roll only.



ROUNDED CASSETTE VALANCE
with fabric insert

SQUARE CASSETTE

- Available in 3" and 4" sizes. Maximum width and length for 3" cassette is 78".
- Available in 4 colors: white, off white, silver, and black.
- Fabric wrap available as a surcharge option. Can be custom ordered in most fabrics. See exceptions in Light-Filtering Materials Reference table.
- Standard roll only.



SQUARE CASSETTE VALANCE
with fabric wrap (surcharge)



WHITE

OFF WHITE

SILVER

BLACK

ROUNDED AND SQUARE CASSETTE VALANCE COLORS
with matching chain loop

OPEN ROLL SHADES

- Clutch and motorized open roll shades come standard with silver brackets and color-coordinated bracket covers. White and black brackets are also available and are not supplied with bracket covers.
- Cordless open roll shades are available with either white or black raceway bar, installation brackets, and color-coordinated end caps.



SILVER (STANDARD)

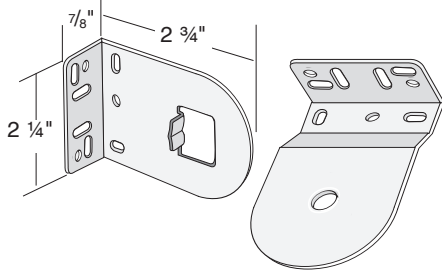
WHITE

BLACK

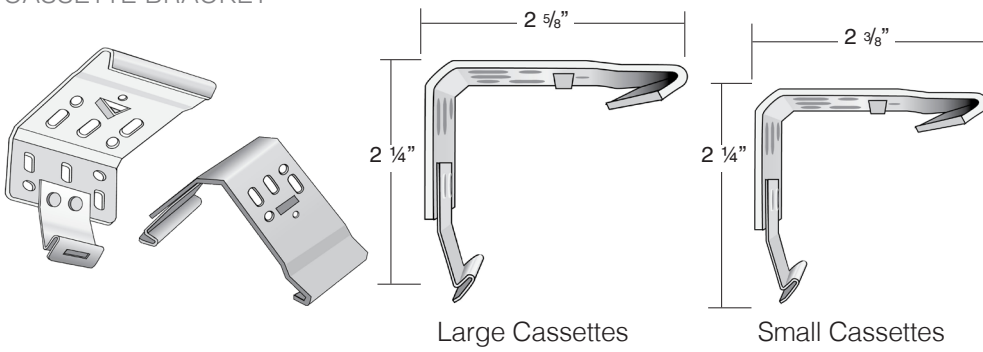
SPECIFICATIONS

BRACKET DIMENSIONS

STANDARD OPEN ROLL BRACKET
(Clutch and Motorized Shades)

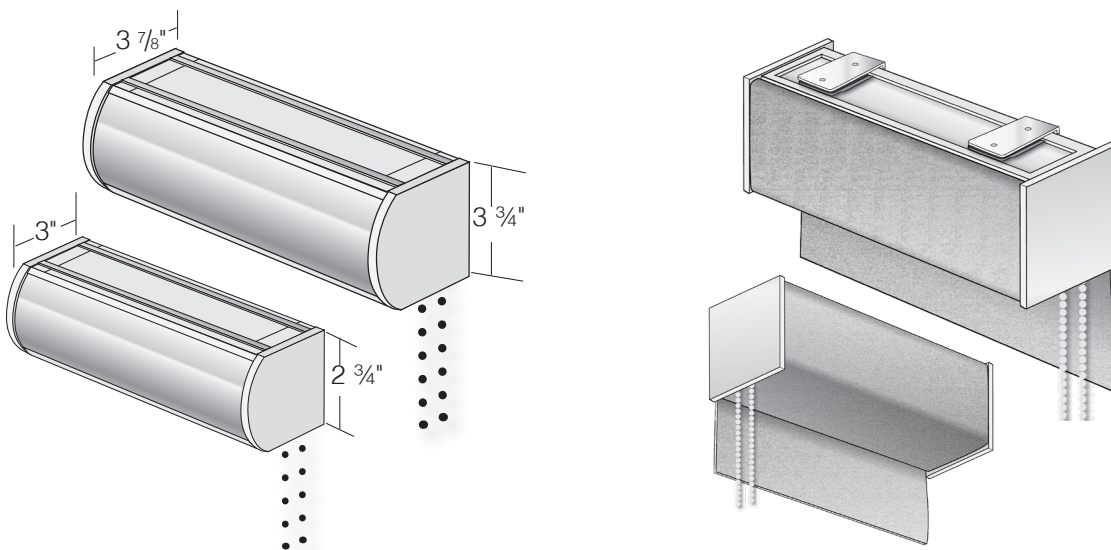


CASSETTE BRACKET



TOP TREATMENT MOUNTING DIMENSIONS

ROUNDED CASSETTE
Small and large cassette dimensions



ROLLER SHADE PRICING

| PRICE GROUP 1 | | WIDTH | | | | | | | | | | | | | | |
|---|-----|-------|-----|-----|-----|-----|-----|-----|-----|-----|-----|-----|-----|-----|-----|------|
| | | 24 | 30 | 36 | 42 | 48 | 54 | 60 | 66 | 72 | 78 | 84 | 90 | 96 | 108 | 118 |
| BORDEAUX LF CHELLES BO LA ROCHELLE LF MARSEILLE LF ORLEANS 5% | 36 | 172 | 198 | 224 | 249 | 276 | 302 | 328 | 354 | 380 | 406 | 432 | 458 | 484 | 510 | 597 |
| | 48 | 183 | 210 | 237 | 264 | 291 | 319 | 346 | 373 | 400 | 427 | 454 | 481 | 508 | 535 | 643 |
| | 60 | 194 | 222 | 249 | 278 | 306 | 334 | 362 | 390 | 418 | 446 | 474 | 502 | 530 | 558 | 689 |
| | 72 | 205 | 234 | 264 | 292 | 321 | 350 | 379 | 408 | 437 | 467 | 496 | 524 | 553 | 582 | 734 |
| | 84 | 216 | 246 | 276 | 306 | 336 | 366 | 396 | 427 | 456 | 486 | 516 | 546 | 577 | 606 | 782 |
| | 96 | 227 | 258 | 289 | 320 | 351 | 382 | 414 | 444 | 475 | 507 | 538 | 568 | 599 | 631 | 827 |
| | 108 | 276 | 319 | 361 | 402 | 444 | 486 | 526 | 568 | 610 | 651 | 693 | 735 | 777 | 828 | 874 |
| | 120 | 293 | 336 | 380 | 423 | 468 | 510 | 554 | 598 | 642 | 686 | 729 | 773 | 818 | 872 | 920 |
| | 132 | 308 | 353 | 400 | 445 | 491 | 536 | 582 | 627 | 674 | 719 | 766 | 811 | 858 | 915 | 966 |
| | 144 | 334 | 383 | 432 | 481 | 529 | 578 | 626 | 676 | 725 | 773 | 823 | 872 | 921 | 983 | 1034 |

| PRICE GROUP 2 | | WIDTH | | | | | | | | | | | | | | |
|---|-----|-------|-----|-----|-----|-----|-----|-----|-----|-----|-----|-----|------|------|------|------|
| | | 24 | 30 | 36 | 42 | 48 | 54 | 60 | 66 | 72 | 78 | 84 | 90 | 96 | 108 | 118 |
| MARSEILLE BO, MONTPELIER 8%, ORLEANS 1% & 3%, SAINT DENIS 5%, TOULOUSE 10%, VERSAILLE LF | 36 | 190 | 219 | 248 | 276 | 306 | 335 | 364 | 393 | 422 | 451 | 481 | 510 | 538 | 567 | 661 |
| | 48 | 204 | 235 | 266 | 297 | 328 | 360 | 390 | 421 | 453 | 483 | 514 | 545 | 577 | 607 | 723 |
| | 60 | 218 | 251 | 284 | 318 | 350 | 383 | 416 | 449 | 483 | 515 | 549 | 581 | 615 | 647 | 785 |
| | 72 | 232 | 267 | 302 | 337 | 373 | 407 | 442 | 477 | 512 | 548 | 582 | 618 | 652 | 688 | 847 |
| | 84 | 246 | 283 | 320 | 357 | 394 | 431 | 469 | 505 | 542 | 579 | 617 | 653 | 690 | 728 | 909 |
| | 96 | 260 | 299 | 338 | 377 | 416 | 456 | 495 | 534 | 572 | 611 | 650 | 689 | 729 | 768 | 971 |
| | 108 | 313 | 364 | 415 | 465 | 516 | 567 | 617 | 667 | 718 | 769 | 820 | 870 | 921 | 982 | 1034 |
| | 120 | 332 | 386 | 438 | 492 | 546 | 599 | 653 | 707 | 761 | 814 | 868 | 922 | 976 | 1041 | 1096 |
| | 132 | 350 | 406 | 463 | 521 | 578 | 633 | 690 | 747 | 804 | 861 | 918 | 975 | 1031 | 1101 | 1158 |
| | 144 | 374 | 435 | 496 | 557 | 617 | 678 | 739 | 800 | 861 | 922 | 983 | 1044 | 1105 | 1179 | 1245 |

| PRICE GROUP 3 | | WIDTH | | | | | | | | | | | | | | |
|---|-----|-------|-----|-----|-----|-----|-----|-----|-----|-----|------|------|------|------|------|------|
| | | 24 | 30 | 36 | 42 | 48 | 54 | 60 | 66 | 72 | 78 | 84 | 90 | 96 | 108 | 118 |
| BORDEAUX BO, CHELLES BO, LA ROCHELLE BO, MARSEILLE BO, ORLEANS BO CHAMBERY BO ORLEANS <1% LORIENT 1% LE MANS 3% | 36 | 211 | 243 | 275 | 307 | 339 | 372 | 403 | 435 | 468 | 499 | 531 | 564 | 595 | 627 | 728 |
| | 48 | 227 | 262 | 297 | 333 | 367 | 402 | 437 | 472 | 508 | 542 | 578 | 612 | 648 | 683 | 805 |
| | 60 | 243 | 281 | 320 | 357 | 395 | 433 | 471 | 510 | 548 | 585 | 623 | 662 | 700 | 738 | 882 |
| | 72 | 259 | 300 | 341 | 382 | 423 | 464 | 505 | 546 | 588 | 629 | 670 | 711 | 752 | 793 | 959 |
| | 84 | 275 | 320 | 363 | 407 | 451 | 496 | 539 | 583 | 627 | 672 | 716 | 759 | 804 | 848 | 1037 |
| | 96 | 292 | 338 | 386 | 432 | 480 | 526 | 573 | 621 | 667 | 715 | 761 | 809 | 855 | 903 | 1113 |
| | 108 | 346 | 406 | 465 | 525 | 585 | 645 | 703 | 764 | 823 | 883 | 943 | 1002 | 1063 | 1132 | 1191 |
| | 120 | 366 | 429 | 492 | 555 | 618 | 679 | 742 | 806 | 868 | 931 | 994 | 1056 | 1120 | 1193 | 1269 |
| | 132 | 387 | 454 | 521 | 588 | 654 | 720 | 787 | 854 | 921 | 988 | 1055 | 1122 | 1189 | 1268 | 1346 |
| | 144 | 416 | 489 | 562 | 635 | 707 | 780 | 853 | 927 | 999 | 1072 | 1145 | 1218 | 1292 | 1377 | 1459 |

| | |
|---------------------------|-----|
| BASICS MOTOR | 220 |
| BOFU MOTOR | 250 |
| REMOTE FOR BASICSAND BOFU | 80 |
| CHARGER/CABLE | 70 |
| ROLLEASE WAND | 70 |
| DC MOTOR | 400 |
| 5 CHANNEL DC REMOTE | 144 |
| 15 CHANNEL DC REMOTE | 144 |
| 5 CHANNEL DC WALL SWITCH | 115 |
| POWER PANEL | 700 |
| DC CONNECTION HARNESS | 35 |
| SPRING ASSIST | 50 |
| CORDLESS | 135 |
| EXTENTION POLE | 60 |
| CHAIN OVER RIDE | 60 |

Child Safe Remote Control Motor

Retrofit

Upgrade manual shade systems by simply swapping the clutch for a motor, eliminating the need to re-make the shade.

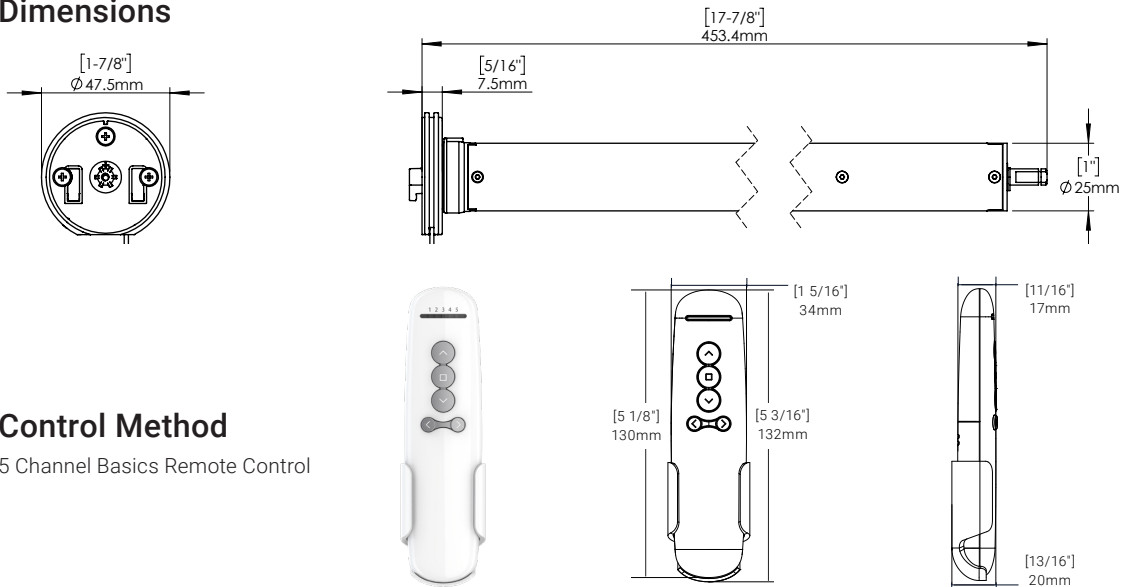
Remote Control

A 5 Channel Remote Control with a sleek design is used to operate the motor with basic up, down and stop functionality.

Child Safe

A entry level motor with basic functionality to support our child safe suite of products.

Dimensions



Control Method

5 Channel Basics Remote Control

Product Specifications

| | |
|---------------------------|---------------------------------|
| Voltage | 5V-DC |
| Torque | 1.1Nm |
| Max Run Time | 12 min. |
| Speed | 28 RPM (Adjustable to 20 or 24) |
| IP Rating | IP20 |
| Temp Working Range | 32°F to 140°F (0°C to 60°C) |
| Insulation Class | III |

| | |
|----------------------------------|---|
| Limit Switch Type | Electronic |
| Current | 0.80 A |
| Battery Size/Type | 2600mAH |
| Sound Level | 56dBs, testing under ISO3745 |
| Power | 9.6 W |
| Motor - Part # (20 units) | MT01-1325-069026-CT - 5V1.1NM Motor [025/5V/20RPM] BASICS |
| Remote - Part # | MT02-0101-069011 5 Channel Basics Remote Control |

Basics

AUTOMATE™

Child Safe Wand Motor

Retrofit

Upgrade manual shade systems by simply swapping the clutch for a motor, eliminating the need to re-make the shade.

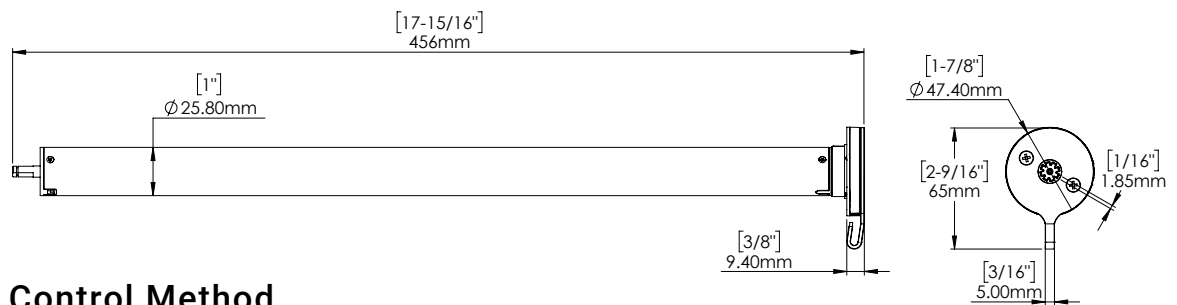
Wand Control

A 36" inch slimline wand is used to operate the motor with basic up, down and stop functionality.

Child Safe

A entry level motor with basic functionality to support our child safe suite of products.

Dimensions



Control Method

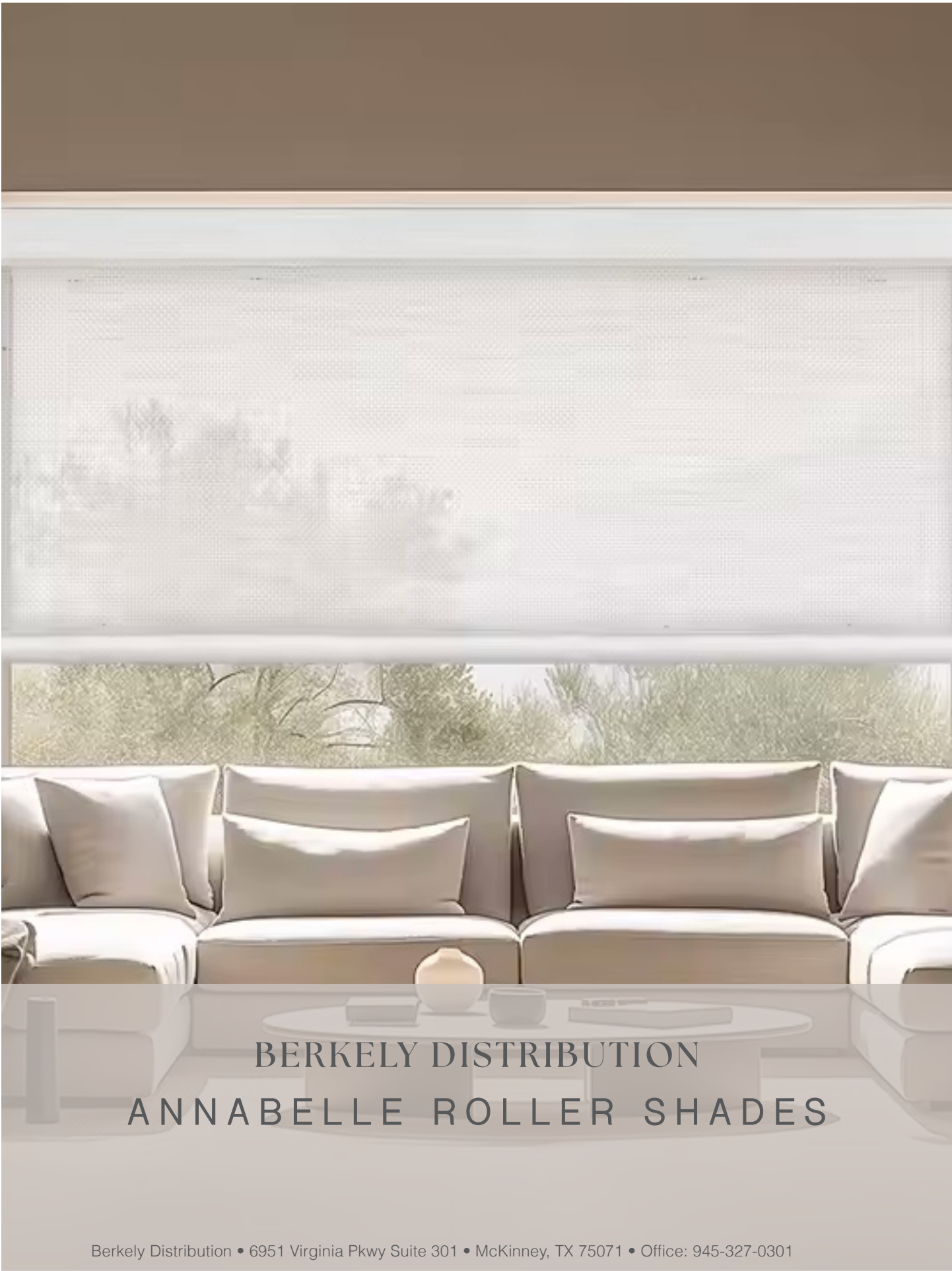
*Wand Control 36" (Only White)



Product Specifications

| | |
|---------------------------|---------------------------------|
| Voltage | 5V-DC |
| Torque | 1.1Nm |
| Max Run Time | 12 min. |
| Speed | 20 RPM (Adjustable to 25 or 30) |
| IP Rating | IP20 |
| Temp Working Range | 32°F to 140°F (0°C to 60°C) |
| Insulation Class | III |

| | |
|--------------------------|---|
| Limit Switch Type | Electronic |
| Current | 0.80 A |
| Battery Size/Type | 2600mAH |
| Sound Level | 56dB's |
| Power | 9.6 W |
| Motor - Part # | MT01-1325-069021-CT (20 units per Carton) |
| Wand - Part # | MT03-0301-069034 (20 units per Carton) |



BERKELY DISTRIBUTION
ANNABELLE ROLLER SHADES

Berkely Distribution • 6951 Virginia Pkwy Suite 301 • McKinney, TX 75071 • Office: 945-327-0301

BD DRS 2024A
Last updated 09/04/24