



BERKELY DISTRIBUTION

BERKELY EXPRESS ROLLER SHADES

---

2024 PRODUCT GUIDE



## WARRANTY INFORMATION

**WHO ARE WE:** This warranty is being given to you by Berkely Distribution.

**WHAT IS COVERED:** Our products are covered by a 5 year warranty against defects in componentry and workmanship. Faux wood products are covered for a period of 1 year and do not include cords.

**WHO IS COVERED:** This warranty extends only to you as the original purchaser, in a residential application.

**WHAT IS NOT COVERED:** This warranty does not cover normal wear and tear or any damage or loss caused by abuse or misuse or improper installation. All materials can lose original intensity after long exposure to the sun. When left for extended periods in direct sunlight, plastics and pvc tend to crack and discolor. All cords will eventually wear out, Berkely Distribution considers these things normal wear and tear not covered by this warranty. Colors and textures vary from lot to lot and may not exactly match sample swatches or previous purchases. Products ordered outside of the recommended manufacturing specifications (oversized blinds) are not covered by this warranty. All products/sku's discontinued in the normal course of business are specifically excluded from our warranty. Faux Wood products carry a 1 year warranty. Fraying caused by improper installation (tracking) is not covered.

**FOR HOW LONG:** This warranty coverage will be for 5 years to you the original buyer at retail on our products. Any implied warranties which you may have are in duration to the time during which you, as the original buyer at retail own our products. Some states do not allow limitations on how long an implied warranty lasts.

**WHAT WILL WE DO:** If your product is defective during the warranty period we will, at our option, either repair or replace, the defective product. This shall be your sole remedy under this warranty. For local jobs installed by our install team, we offer a 30 day warranty on the installation service. Should you require assistance outside of the 30 day installation period, our standard service call rates will apply. Installation warranty does not apply to jobs installed outside of the DFW area.

**NO LIABILITY FOR INCIDENTAL OR CONSEQUENTIAL DAMAGES:** Repair or replacement of defective products are your sole remedy under this warranty and incidental or in no event shall we be liable for transportation costs to or from the dealer, costs of removal or re-installation of our products or incidental or consequential damages. Some states do not allow the exclusion of incidental or consequential damages, so the limitation or exclusion may not apply to you. Please inspect your orders upon receipt before taking them to your customer's home or office. By doing this we can be sure that any defects or damages never arrive at the customer's home or office. If you are in need of spare parts to keep on hand, please feel free to call our customer service department and we will gladly send them to you.

**MOTORIZATION:** Products with motorization carry a 3 year warranty. All costs associated with freight damage are the sole responsibility of the dealer.

**HOW TO GET SERVICE:** To obtain service under this warranty, return your products along with the original sales receipt to the dealer from which it was purchased. You will be responsible for transporting the product to and from the dealer.

**YOUR RIGHTS UNDER STATE LAW:** This warranty gives you specific legal rights, and you may also have other rights which may vary from state to state.

## Care & Cleaning

### HORIZONTAL BLINDS

Regular cleaning with a feather duster or soft, clean cloth is typically all that is needed to keep blinds looking new. Blinds may also be cleaned using a hand-held vacuum with a brush attachment using low suction. Stained wood blinds should be treated periodically with lemon-oil or other wood preservative to protect their finish

### SHUTTERS

If the surfaces of the shutters become dirty, wash with a mild soap or detergent using a soft cloth. For difficult to remove dirt or stains, a water-based household cleaner can be used. Chlorine base cleaners or other cleaners containing organic solvents could affect the surface appearance and durability of the product.

### Roller Shades

If the fabric of the roller shades becomes dirty, we recommend using a magic eraser.

# MATERIALS REFERENCE

CODE	NAME	COLOR	PRICE GROUP	COMP	MAX WIDTH	MAX HEIGHT	MAX SIZE	COMP COLOR	FAB SQ CASS
BD-20001	Bordeaux BO	White	2	100% Polyester	108	96	108x96	White	Y
BD-20010	Bordeaux BO	Beige	2	100% Polyester	108	96	108x96	Off White	Y
BD-20015	Bordeaux BO	Gray	2	100% Polyester	108	96	108x96	Silver	Y
BD-20029	Bordeaux BO	Shadow	2	100% Polyester	108	96	108x96	Silver	Y
BD-10101	Bordeaux LF	White	1	100% Polyester	108	96	108x96	White	Y
BD-10110	Bordeaux LF	Beige	1	100% Polyester	108	96	108x96	Off White	Y
BD-10115	Bordeaux LF	Gray	1	100% Polyester	108	96	108x96	Silver	Y
BD-10129	Bordeaux LF	Shadow	1	100% Polyester	108	96	108x96	Silver	Y
LR-20001	La Rochelle BO	White	2	100% Polyester	108	96	96x96,108x72	White	Y
LR-20010	La Rochelle BO	Beige	2	100% Polyester	108	96	96x96,108x72	Off White	Y
LR-20011	La Rochelle BO	Taupe	2	100% Polyester	108	96	96x96,108x72	Off White	Y
LR-10101	La Rochelle LF	White	1	100% Polyester	108	96	108x96	White	Y
LR-10110	La Rochelle LF	Beige	1	100% Polyester	108	96	108x96	Off White	Y
LR-10111	La Rochelle LF	Taupe	1	100% Polyester	108	96	108x96	Off White	Y

# SPECIFICATIONS

## SHADE INSTALLATION SPECIFICATIONS

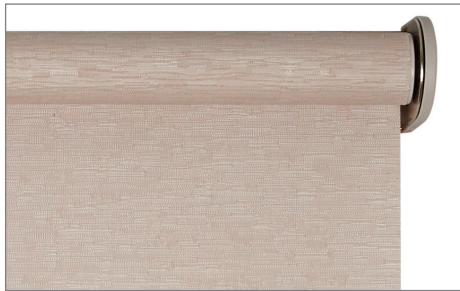
	MINIMUM WIDTH	MAXIMUM WIDTH <sup>(1)</sup>	MINIMUM HEIGHT	MAXIMUM HEIGHT	FLUSH IB DEPTH (TOP MOUNT)	FLUSH IB DEPTH (FACE MOUNT)	MINIMUM IB DEPTH (TOP MOUNT)
OPEN ROLL							
CLUTCH & CHAIN <sup>[2]</sup>	10"	108"	12"	96"	2 3/8"	3"	1 1/8"
WAND CONTROL	18"	96"	20"	96"	2 3/8"	3"	1 1/8"
Remote Control Motors	18"	108"	12"	96"	2 3/8"	3"	1 1/8"
• LITHIUM ION							
• DC PLUG-IN	18"	108"	12"	96"	2 3/8"	3"	1 1/8"
WITH SMALL CASSETTE <sup>[3]</sup>							
CLUTCH & CHAIN <sup>[2]</sup>	12"	108"	12"	96"	3 1/4"	3 1/4"	1"
WAND CONTROL	19"	96"	20"	96"	3 1/4"	3 1/4"	1"
Remote Control Motors	19"	108"	12"	96"	3 1/4"	3 1/4"	1"
• LITHIUM ION							
• DC PLUG-IN	19"	108"	12"	96"	3 1/4"	3 1/4"	1"
WITH LARGE CASSETTE <sup>[3]</sup>							
CLUTCH & CHAIN <sup>[2]</sup>	12"	108"	12"	96"	4"	4"	1"
WAND CONTROL	19"	96"	20"	96"	4"	4"	1"
Remote Control Motors	19"	108"	12"	96"	4"	4"	1"
• LITHIUM ION							
• DC PLUG-IN	19"	108"	12"	96"	4"	4"	1"
WITH SQUARE CASSETTE							
CLUTCH & CHAIN <sup>[2]</sup>	12"	108"	12"	96"	4"	4"	1"
Remote Control Motors	19"	96"	20"	96"	4"	4"	1"
• LITHIUM ION							
• DC PLUG-IN	19"	108"	12"	96"	4"	4"	1"
WITH 3" FASCIA							
CLUTCH & CHAIN <sup>[2]</sup>	12"	108"	12"	96"	3 1/8"	3 1/8"	1"
Remote Control Motors	19"	96"	20"	96"	3 1/8"	3 1/8"	1"
• LITHIUM ION							
• DC PLUG-IN	19"	108"	12"	96"	3 1/8"	3 1/8"	1"
WITH 4" FASCIA							
CLUTCH & CHAIN <sup>[2]</sup>	12"	108"	12"	96"	4 1/8"	4 1/8"	1"
Remote Control Motors	19"	96"	20"	96"	4 1/8"	4 1/8"	1"
• LITHIUM ION							
• DC PLUG-IN	19"	108"	12"	96"	4 1/8"	4 1/8"	1"

A deduction of 1/8" will be made to all IB shades.

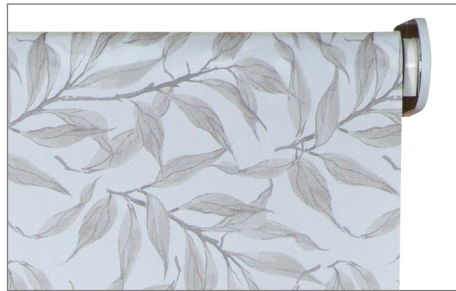
# SHADE OPTIONS

## ROLL TYPE

Standard or reverse roll. Reverse roll not available in cassettes.



STANDARD ROLL



REVERSE ROLL

## HEM BARS

### FABRIC WRAPPED

- Standard for all fabrics.

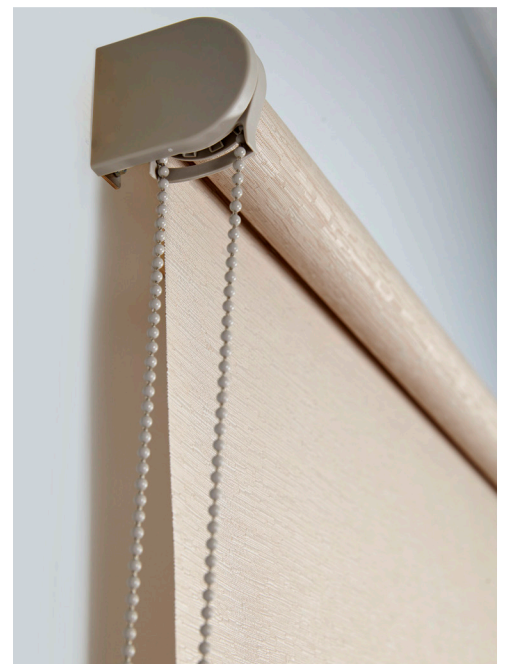


FABRIC WRAPPED HEM BAR

# CONTROL OPTIONS

## CLUTCH CONTROL SHADES

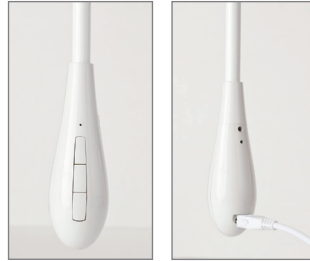
- Clutches and plastic bead chain loops are available in six coordinating colors: white, beige, gray, warm gray, bronze, and black.
- Standard chain length is  $\frac{3}{4}$  length of shade. Custom chain lengths available as a surcharge option.
- Metal bead chain is available as a surcharge option.
- Spring assist is available as a surcharge option for heavier shades. See Specification Note <sup>[2]</sup> on page 16 for size limitations.
- Compliant cord tensioners are provided with clutch control shades. Cord tensioners secure the cord loop to the wall or window. They must be installed for the shade to be compliant with safety regulations and to operate properly.



# MOTORIZED SHADE CONTROL OPTIONS

## WAND CONTROL SHADES

- Wand control shades are operated by a rechargeable lithium-ion battery motor.
- Battery charging port located in back of the wand handle.
- 1 available wand colors: white



WAND  
with USB charger



WAND CONTROL SHADE

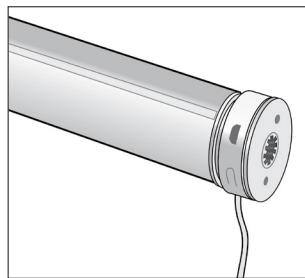
## REMOTE CONTROL SHADES

Remote motor shades are available with rechargeable and hardwired motors which can be controlled with remotes, wall switches, or motor hubs.

See available options below.



REMOTE  
(multi-channel)



MOTOR HEAD



REMOTE CONTROL SHADE

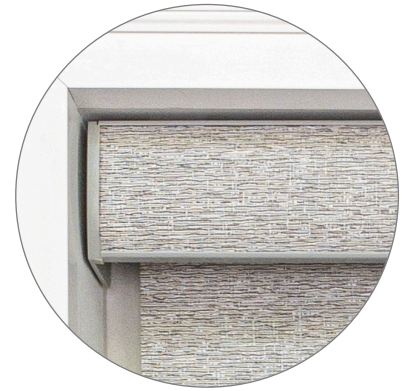
## REMOTE MOTORS

	RECHARGEABLE LITHIUM ION	12 V DC HARDWIRED
MOTOR TYPE	Standard Lift Power Lift	Standard Lift
POWER SUPPLY	Internal	Hardwired
CHARGER	16½" Micro USB	-
REMOTE	15-Channel Remote 15-Channel Wall Switch	15-Channel Remote 15-Channel Wall Switch

# TOP TREATMENTS

## ROUNDED CASSETTE WITH FABRIC INSERT

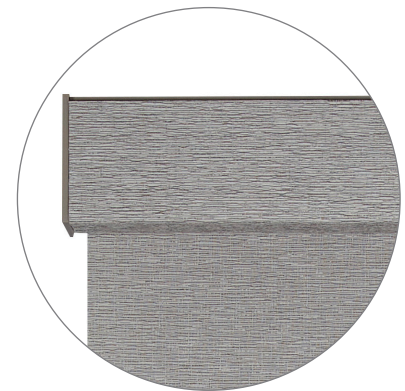
- Available in 3” and 4” sizes. Maximum width and length for 3” cassette is 78”.
- Available in 4 colors: white, off white, silver, and black.
- Fabric insert can be custom ordered in any fabric.
- Standard roll only.



ROUNDED CASSETTE VALANCE  
with fabric insert

## SQUARE CASSETTE

- Available in 3” and 4” sizes. Maximum width and length for 3” cassette is 78”.
- Available in 4 colors: white, off white, silver, and black.
- Fabric wrap available as a surcharge option. Can be custom ordered in most fabrics. See exceptions in Light-Filtering Materials Reference table.
- Standard roll only.



SQUARE CASSETTE VALANCE  
with fabric wrap (surcharge)



ROUNDED AND SQUARE CASSETTE VALANCE COLORS  
with matching chain loop

## OPEN ROLL SHADES

- Clutch and motorized open roll shades come standard with silver brackets and color-coordinated bracket covers. White and black brackets are also available and are not supplied with bracket covers.
- Cordless open roll shades are available with either white or black raceway bar, installation brackets, and color-coordinated end caps.



SILVER (STANDARD)

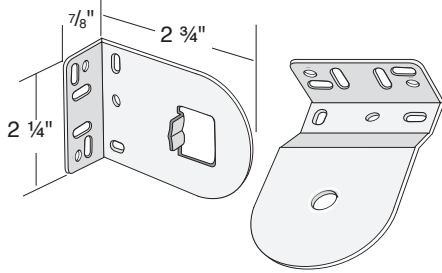
WHITE

BLACK

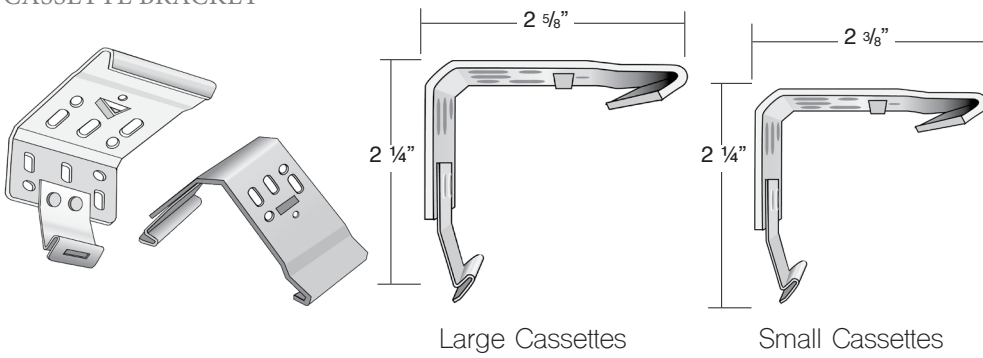
# SPECIFICATIONS

## BRACKET DIMENSIONS

STANDARD OPEN ROLL BRACKET  
(Clutch and Motorized Shades)

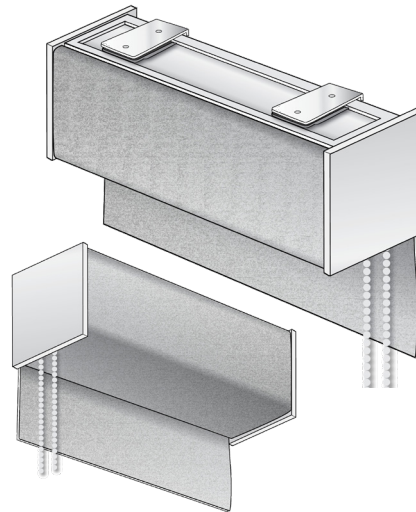


CASSETTE BRACKET



## TOP TREATMENT MOUNTING DIMENSIONS

SQUARE CASSETTE  
Small and large cassette dimensions





# ROLLER SHADE PRICING

		WIDTH														
PRICE GROUP 1 BORDEAUX LF, LAROCHELLE LF	LENGTH	24"	30"	36"	42"	48"	54"	60"	66"	72"	78"	84"	90"	96"	108" <sup>(2)</sup>	
		36"	133	152	175	199	220	241	261	282	282	304	346	390	390	439
		48"	152	175	206	230	256	280	304	330	330	357	407	458	458	515
		60"	172	199	230	257	286	315	343	372	372	404	461	520	520	584
		72"	179	208	240	270	302	332	362	393	393	426	488	550	550	619
		84"	206	241	280	315	352	388	424	463	463	505	578	653	653	734
		96"	222	261	303	342	383	423	463	505	505	552	633	716	716	805
Cassette / Facia		130	130	160	188	188	225	225	266	266	298	298	336	336	374	

		WIDTH														
PRICE GROUP 2 BORDEAUX BO, LAROCHELLE BO	LENGTH	24"	30"	36"	42"	48"	54"	60"	66"	72"	78"	84"	90"	96"	108" <sup>(2)</sup>	
		36"	159	185	213	246	275	303	330	356	356	386	442	498	498	561
		48"	186	224	259	291	326	359	392	426	426	462	529	598	598	673
		60"	214	253	293	333	372	412	450	490	490	532	612	692	692	778
		72"	226	266	310	353	395	437	479	521	521	566	651	737	737	829
		84"	265	314	366	418	469	520	571	623	623	681	783	887	887	997
		96"	288	343	401	459	516	573	629	687	687	752	865	981	981	1103
Cassette / Facia		130	130	160	188	188	225	225	266	266	298	298	336	336	374	

CHARGER	\$35.00
LI MOTOR	\$200.00
WAND MOTOR	\$150.00
REMOTE CTRL	\$70.00
LOW VOLTAGE 12 VOLT DC MOTOR (NOV 2024)	\$350.00

## Child Safe Remote Control Motor

### Retrofit

Upgrade manual shade systems by simply swapping the clutch for a motor, eliminating the need to re-make the shade.

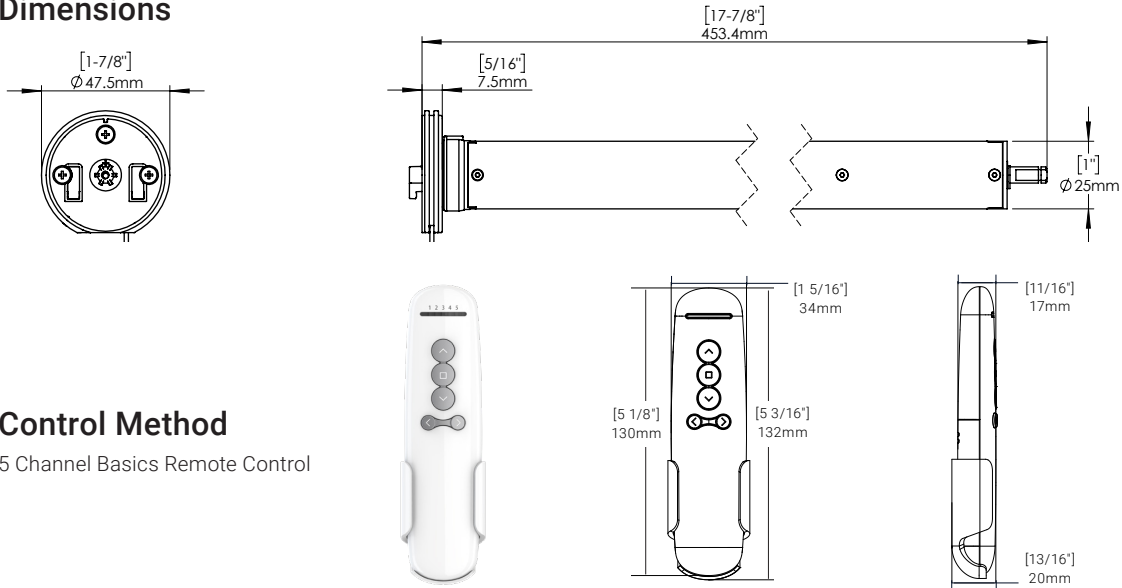
### Remote Control

A 5 Channel Remote Control with a sleek design is used to operate the motor with basic up, down and stop functionality.

### Child Safe

A entry level motor with basic functionality to support our child safe suite of products.

### Dimensions



### Control Method

5 Channel Basics Remote Control

### Product Specifications

<b>Voltage</b>	5V-DC
<b>Torque</b>	1.1Nm
<b>Max Run Time</b>	12 min.
<b>Speed</b>	28 RPM (Adjustable to 20 or 24)
<b>IP Rating</b>	IP20
<b>Temp Working Range</b>	32°F to 140°F (0°C to 60°C)
<b>Insulation Class</b>	III

<b>Limit Switch Type</b>	Electronic
<b>Current</b>	0.80 A
<b>Battery Size/Type</b>	2600mAH
<b>Sound Level</b>	56dBs, testing under ISO3745
<b>Power</b>	9.6 W
<b>Motor - Part # (20 units)</b>	MT01-1325-069026-CT - 5V1.1NM Motor [025/5V/20RPM] BASICS
<b>Remote - Part #</b>	MT02-0101-069011 5 Channel Basics Remote Control

# Basics

AUTOMATE™

## Child Safe Wand Motor

### Retrofit

Upgrade manual shade systems by simply swapping the clutch for a motor, eliminating the need to re-make the shade.

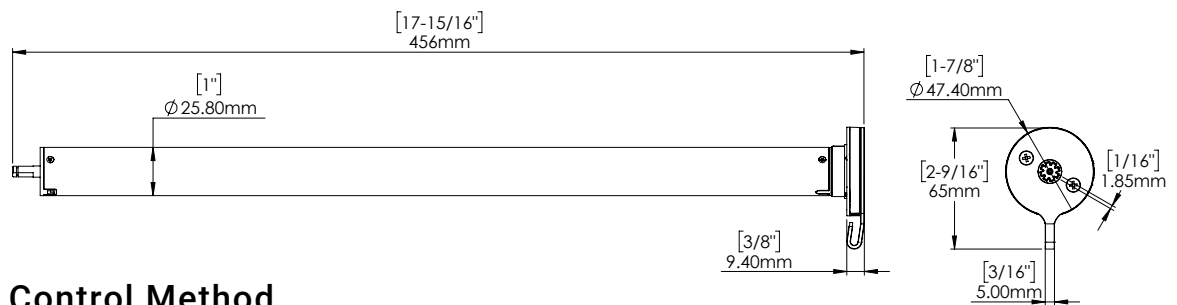
### Wand Control

A 36" inch slimline wand is used to operate the motor with basic up, down and stop functionality.

### Child Safe

A entry level motor with basic functionality to support our child safe suite of products.

### Dimensions



### Control Method

\*Wand Control 36" (Only White)



### Product Specifications

<b>Voltage</b>	5V-DC
<b>Torque</b>	1.1Nm
<b>Max Run Time</b>	12 min.
<b>Speed</b>	20 RPM (Adjustable to 25 or 30)
<b>IP Rating</b>	IP20
<b>Temp Working Range</b>	32°F to 140°F (0°C to 60°C)
<b>Insulation Class</b>	III

<b>Limit Switch Type</b>	Electronic
<b>Current</b>	0.80 A
<b>Battery Size/Type</b>	2600mAH
<b>Sound Level</b>	56dB's
<b>Power</b>	9.6 W
<b>Motor - Part #</b>	MT01-1325-069021-CT (20 units per Carton)
<b>Wand - Part #</b>	MT03-0301-069034 (20 units per Carton)



BERKELY DISTRIBUTION  
BERKELY EXPRESS ROLLER SHADES

Berkely Distribution • 6951 Virginia Pkwy Suite 301 • McKinney, TX 75071 • Office: 945-327-0301

BD DRS 2024A  
Last updated 09/04/24